

QUANTUM X

INTELLICLEAN SOLUTIONS

INSTRUCTIONS



QuantumXVac.com



(844) 324-1411

THANK YOU

for purchasing The **QUANTUM X Vacuum**

REGISTER YOUR PURCHASE



QuantumXVac.com



(844) 324-1411

RECORD THIS INFORMATION

Model Number: _____

Date Code: _____

Date of Purchase (Keep receipt): _____

Store of Purchase: _____

TECHNICAL SPECIFICATIONS

Voltage: **110/120V., 60Hz**

Watts: **800±8%W**

Amps: **7.0A**

PLEASE READ CAREFULLY AND KEEP FOR FUTURE REFERENCE

This Owner's Guide is designed to help you get a complete understanding of your new **QUANTUM X Vacuum**.

If you have any questions, please call the customer service line at **(844) 324-1411**

TABLE OF CONTENTS

SAFETY PRECAUTIONS.....	5
Warnings.....	5
Important Precautions.....	6
WHAT'S IN THE BOX?.....	10
Quantum X Unit.....	10
Accessories.....	11
Additional Accessories (Optional).....	13
Assembling the Quantum X.....	14
OPERATION.....	15
Operating your Quantum X.....	15
Filling the Water basin.....	15
Attaching your water basin.....	16
Attaching Power cord.....	17
How to Extend the Body.....	18
Powering On the Quantum X.....	19
Disengage Power Head Handle.....	19
Resetting Power Head.....	20
HOW TO USE AS A WET MOP.....	21
Wet Kit Assembly.....	21
Connecting Wet Kit to Vacuum.....	21
WHEN YOU'RE FINISHED VACUUMING.....	22
Where To Dump Your Dirty Water.....	22
Turbine Separator Maintenance.....	23
Storage.....	23
CUSTOMER SERVICE INFORMATION.....	24
Contact Us	24
Limited Warranty.....	25
Policies and Procedures.....	28
Quantum X Technical Specifications.....	31

INTELLICLEAN
SOLUTIONS
presents



QuantumXVac.com

QUANTUM X

IMPORTANT SAFETY NOTICES & INSTRUCTIONS: for household use only

READ ALL INSTRUCTIONS BEFORE USING



WARNING

To reduce the risk of fire, electrical shock, or injury: the Quantum X should be inspected regularly. Do not use if the wires inside are damaged, cut, or punctured. Avoid picking up sharp objects. Do not use or repair any damaged parts. Contact an Authorized Customer Service Technician for repairs. Do not immerse the Quantum X in liquid for cleaning. Always turn off this appliance before connecting or disconnecting the motorized Power Head.



WARNING

Because of danger of shock, any electrical appliance should be used only as directed. There should be no unapproved use of any electrical product. Electrical leakage and shorts can occur whenever there is electricity. If the user is standing on the ground, in a basement or in a room where a film of water can reach the ground, severe shock could result. Therefore, use the Quantum X only as directed in this manual.

Do Not Use The Power Head For Picking Up Any Liquids!



CAUTION

The Quantum X water basin will not trap materials that are resistant to the wetting action of water, including oily or greasy compounds like soot or ashes, and powdery substances like ceramic, drywall, or plaster dust. Do not use the Quantum X near any volatile or toxic materials.

IMPORTANT PRECAUTIONS

- 1** Unplug the Quantum X when not in use. Turn it off at the main switch before unplugging. Grasp the plug to disconnect it from the back of the main unit or from the wall outlet to avoid damage to cord, plug, prongs or receptacle. DO NOT pull or carry by cord, use cord as a handle, close a door on cord, pull or carry around sharp edges or corners. DO NOT run appliance over cord, Keep cord away from heated surfaces. Do not use with damaged cord or plug.
- 2** When used as a vacuum cleaner, DO NOT leave appliance when plugged in. Unplug main unit from the back of the machine or wall outlet when unattended and before servicing or replacing the motorized power head drive belt.
- 3** DO NOT use the main electrical power head to pick up liquids. The Quantum X is intended for small wet spills. Do not use on wet surfaces such as: standing water, excess water, large spills, or liquid volumes larger than one and a half quarts.
- 4** If your Quantum X unit or accessory is in disrepair, DO NOT attempt to operate. If the main unit is not working properly, has been dropped, damaged, left outdoors or dropped in water, contact an Authorized Quantum X Service Center for inspection.
- 5** DO NOT clean the unit or unplug the hose until the Quantum X is switched off and the plug is removed from the back of the Quantum X or wall outlet.
- 6** DO NOT connect to the receptacle of an incandescent light fixture or use any extension cords other than what's approved by Quantum X Company. DO NOT use with portable transformers or voltage converters.
- 7** DO NOT allow to be used as a toy. This appliance can be used by children aged 8 years and above and persons with

SAVE THESE INSTRUCTIONS

reduced physical, sensory or mental capabilities or lack of experience and knowledge if they have been given supervision or instruction concerning use of the appliance in a safe way and understand the hazards involved. Cleaning and user maintenance shall not be made by children without supervision.

- 8 DO NOT use the Quantum X or accessories to unclog drains. If sewer gas is drawn into the Quantum X, it could cause an explosion.
- 9 Never touch a metal sink, cold or hot water pipe with one hand while touching the metal parts of any electrical appliance, light fixture or switch with the other hand. Your body could complete an electrical circuit with the ground. Additionally, wet skin surfaces can greatly increase this hazard. DO NOT handle the Quantum X or accessories with wet hands.

- 10 DO NOT plug any objects into opening; Do not use with any openings blocked; keep free of dust, lint, hair, and anything that may reduce airflow; Keep hair, loose clothing, fingers and all parts of the body from opening and moving parts; Use extra care when cleaning on stairs.

- 11 DO NOT pick up anything that is burning or smoking, such as cigarettes, matches or hot ashes. DO NOT use to pick up flammable or combustible liquids, such as gasoline, or use in areas where they may be present.

- 12 To avoid the possibility of fire or explosion, do not use Quantum X or accessories in areas where flammable and/or explosive vapor or dust is present. Some cleaning fluids can produce such vapors. Areas where flammable cleaning fluids have been used should be completely dry and thoroughly aired before being vacuumed.

IMPORTANT PRECAUTIONS

- 13** This appliance is provided with double insulation. No grounding means is provided on a double insulated appliance, nor should a means for grounding be added to the appliance. Servicing a double-insulated appliance requires extreme care and knowledge of the system, and should be done only by qualified service personnel. Replacement parts for a double-insulated appliance must be identical to the parts they replace.
- 14** The QuantumX is equipped with an interlock switch that prevents the unit from operating if the water basin is not properly latched;
- DO NOT ATTEMPT TO OVERRIDE THIS SAFETY FEATURE.**
- 15** The Quantum X Power Head contains a powerful rotating brush. To avoid bodily injury, the Power Head should not be placed against, or close to: loose clothing, jewelry, hair, or body surfaces while unit is connected to electrical outlet. The Power Head does NOT protect against bodily injury or damage to objects that contact the rotating brush.
- 16** To reduce the risk of electric shock, this appliance may have a polarized plug (one blade is different than the other). This plug will fit in a polarize outlet only one way. If the plug does not fit fully in the outlet, reverse the plug. If it still does not fit, contact a qualified electrician to install the proper outlet. DO NOT change the plug in any way.
- 17** If the power cord is damaged, turn off the power switch on the Quantum X and unplug the unit. Power cord must be replaced by an Authorized Quantum X Service Technician.
- 18** DO NOT run power cord under carpeting. Do not cover cord with throw rugs, runners or similar coverings. DO NOT route cord under furniture or appliances. Arrange cord away from traffic area and where it will not be tripped over.

SAVE THESE SAFETY NOTICES & INSTRUCTIONS

**THIS APPLIANCE IS INTENDED FOR
HOUSEHOLD USE ONLY.**

**USE THE QUANTUM X ONLY AS
DIRECTED IN THIS OWNER'S MANUAL**

**PLEASE READ ALL OF THE SAFETY NOTICES
AND INSTRUCTIONS
IN THIS MANUAL BEFORE USING THE VACUUM.
VISIT**

QuantumXVac.com

**TO READ THE USER MANUAL, INCLUDING A
COPY OF THE SAME SAFETY PROCEDURES
IN THIS MANUAL AND THE QUANTUM X
WARRANTY INFORMATION.**

Service & Warranty: (844) 324-1411

GETTING TO KNOW YOUR QUANTUM X VACUUM

WHAT'S IN THE BOX

1. WATER BASIN
2. UPHOLSTERY BRUSH
3. DUSTING BRUSH
4. CREVICE TOOL
5. WET/DRY HOSE
6. 3-PLASTIC WANDS
7. POWER HEAD WITH ROTATING BRUSH
8. ELECTRIC POWER CORD
9. ACCESSORIES BAG

OPTIONAL ACCESSORIES

- AIR DRIVEN MINI POWER HEAD
- LARGE SQUEEGEE HEAD
- HARD FLOOR BRUSH
- 35FT ELECTRIC CORD REWIND
- 4-PACK FRAGRANCE

MAIN UNIT



(Do Not Use) Electric Power Head for Picking Up Liquids!

WHAT'S IN THE BOX



1. WATER BASIN



2. UPHOLSTERY BRUSH



3. DUSTING BRUSH



4. CREVICE TOOL



5. WET/DRY HOSE



6. 3-PLASTIC WANDS

WHAT'S IN THE BOX



7. POWER HEAD WITH ROTATING BRUSH

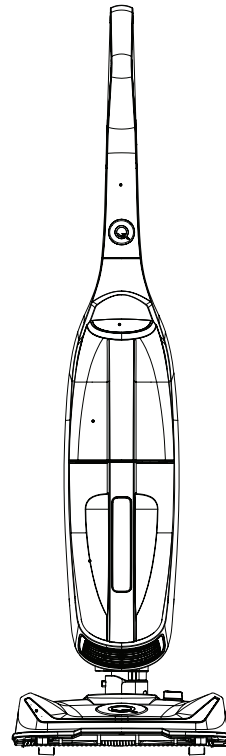
(Dry Use Only)



8. ELECTRIC POWER CORD



9. ACCESSORIES BAG



Go to www.QuantumXVac.com or Call (844) 324-1411 for Assistance

OPTIONAL ACCESSORIES (Not Included)



AIR DRIVEN MINI POWER HEAD



LARGE SQUEEGEE HEAD



HARD FLOOR BRUSH



35FT ELECTRIC CORD REWIND

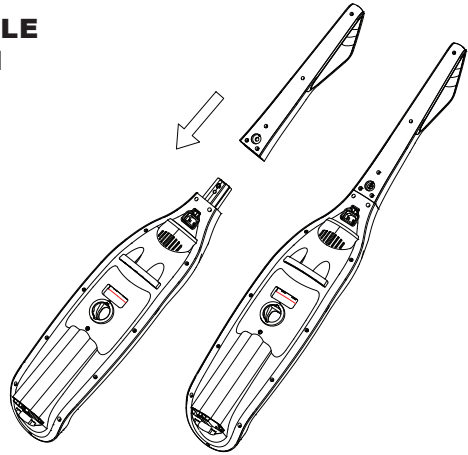


4-PACK FRAGRANCE

Go to www.QuantumXVac.com or Call (844) 324-1411 for Assistance

HANDLE ASSEMBLY

ATTACH THE QUANTUM X HANDLE AS SHOWN AND SCREW IN WITH HANDLE SCREW (INCLUDED)



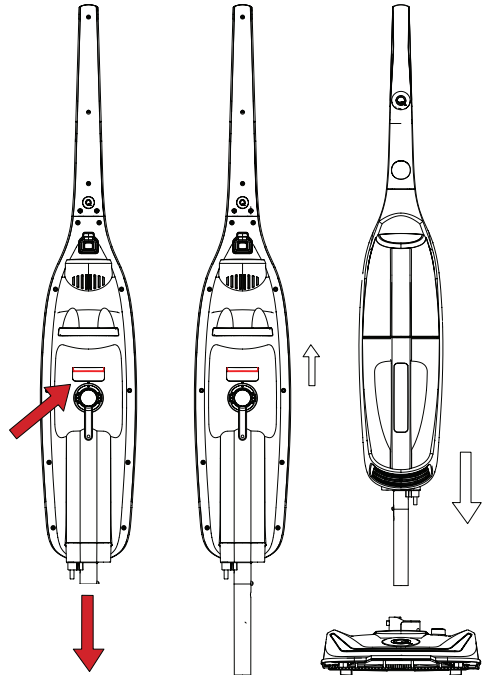
PLACE THE RUBBER PLUG TO COVER THE SCREW HOLE

ATTACHING THE POWERHEAD

FULLY EXTEND TELESCOPING TUBE OUT BEFORE CONNECTING WITH THE POWER HEAD.

PULL THE **EXTEND BUTTON TO TELESCOPE THE TUBE AND THEN CONNECT TO THE TUBE ON THE POWER HEAD (make note to match the electrical connection on the stainless-steel tube with the electrical connection with the power head).**

THEN LOWER THE QX BODY ONTO THE POWER HEAD. THERE WILL BE AN AUDIBLE “CLICK” WHEN BOTH ARE ENGAGED. LOWER THE MAIN BODY TO THE LOWERED POSITION, READY TO USE.



Go to www.QuantumXVac.com or Call (844) 324-1411 for Assistance

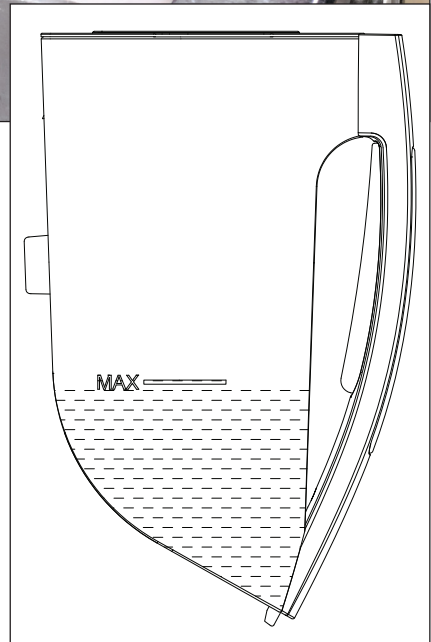
OPERATING YOUR QUANTUM X



1. FILLING THE WATER BASIN WITH REGULAR TAP WATER

WHEN PICKING UP LIQUIDS, START WITH AN EMPTY WATER BASIN

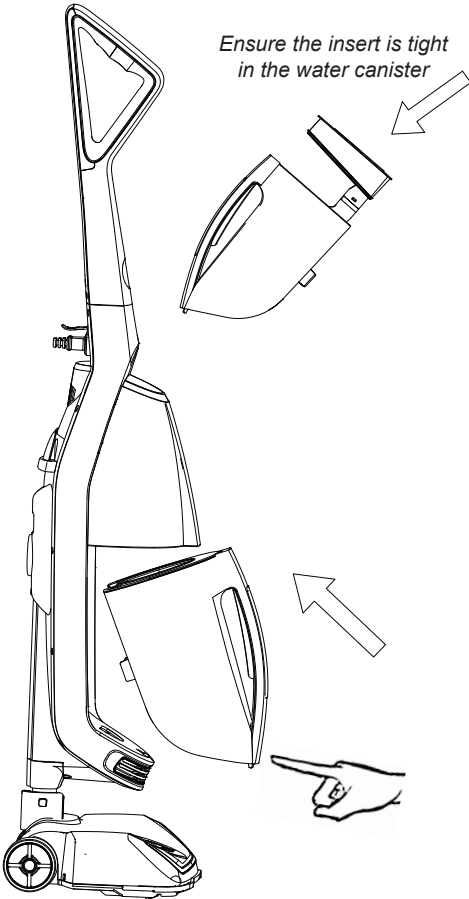
*****MUST ALWAYS BE OPERATED WITH A PROPERLY FILLED WATER BASIN**



Go to www.QuantumXVac.com or Call (844) 324-1411 for Assistance

OPERATING YOUR QUANTUM X

2. ATTACHING THE UPRIGHT WATER BASIN AND PUSH IN TILL BASIN CLICKS AND BASIN IS SECURE IN PLACE



PUSH FIRMLY AT THE BOTTOM END OF THE CANISTER TO LOCK INTO PLACE



Go to www.QuantumXVac.com or Call (844) 324-1411 for Assistance

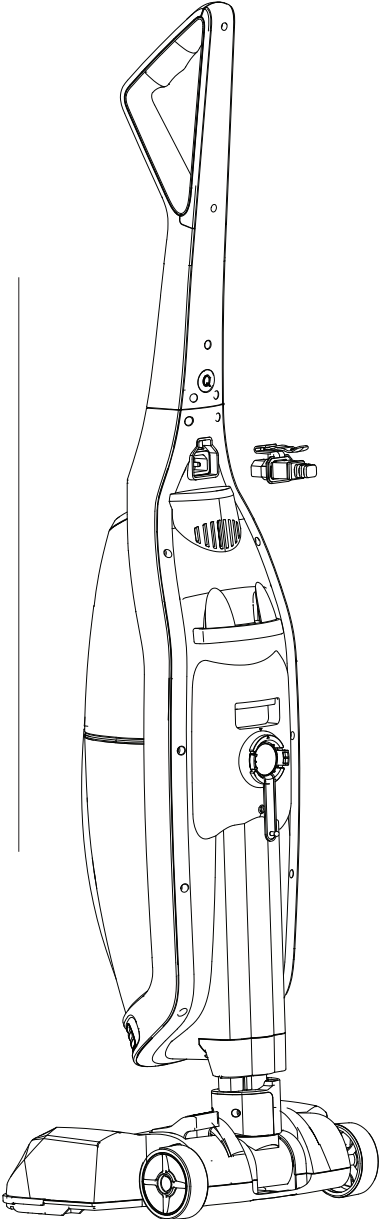
OPERATING YOUR QUANTUM X



3. ATTACHING THE POWER CORD



4. PUSH PLUG IN TILL LOCKS



OPERATING YOUR QUANTUM X

5. EXTENDING BODY IN LIFT POSITION: PRESS UP ON RED LEVER ON BACK SIDE OF UNIT.

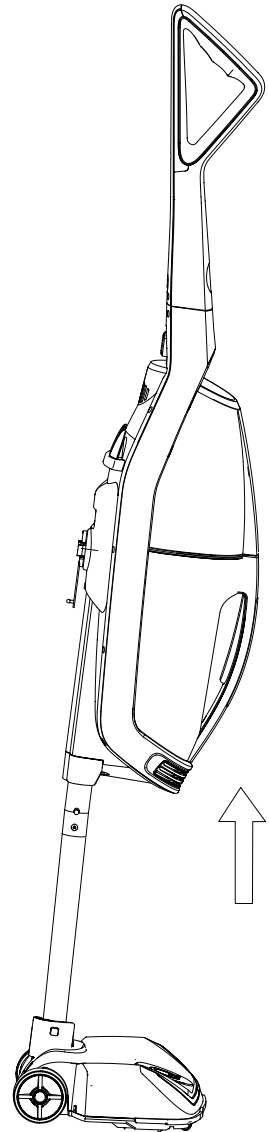


6. PUT FOOT ON TOP OF POWER HEAD AND WHILE YOU'RE PRESSING THE RED LEVER LIFT UP TO THE APPROPRIATE POSITION YOU REQUIRE.



HOW TO LOWER THE BODY BACK DOWN IN THE LOWER POSITION. REVERSE #6 DIRECTIONS TO LOWER UNIT BACK TO REQUIRED POSITION.

EXTEND THE QUANTUM X TO GET UNDER FURNITURE, BEDS, COFFEE TABLES OR HARD TO REACH AREAS THAT ARE LOW TO THE GROUND



Go to www.QuantumXVac.com or Call (844) 324-1411 for Assistance

OPERATING YOUR QUANTUM X

SWIPE OR HOLD POWER ICON



7. POWERING ON YOUR QUANTUM X

MAKE SURE THE QUANTUM X IS IN THE UPRIGHT POSITION, PRESS THE FOOT RELEASE BUTTON AND PULL HANDLE BACK INTO VACUUMING POSITION.



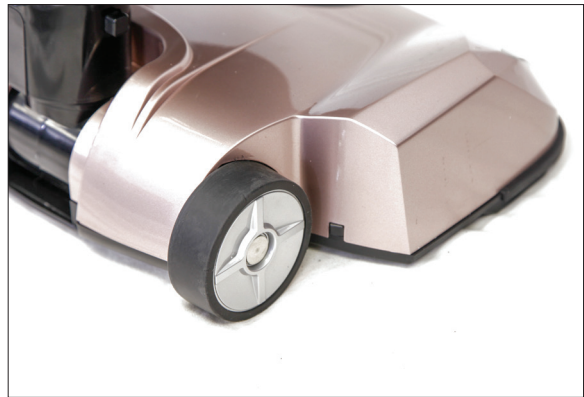
8. DISENGAGING THE POWER HEAD HANDLE

OPERATING YOUR QUANTUM X Reset Button for Power Head

IF ANY OBJECT IS CAUGHT IN THE ROLLER BRUSH IT COULD CAUSE THE ROLLER BRUSH TO BOG DOWN AND SHUT OFF. UNPLUG THE QUANTUM X POWER CORD FROM THE WALL OUTLET BEFORE YOU TRY TO CLEAR THE OBJECT FROM THE ROLLER BRUSH. CLEAR ALL OBJECT OUT FROM AROUND ROLLER BRUSH SO THAT IT'S FREE AND TURNING PROPERLY. PUSH THE RED RESET BUTTON ON THE BACK SIDE OF THE POWER HEAD; PLUG THE POWER CORD BACK INTO THE WALL OUTLET, AND POWER ON THE QUANTUM X TO CONTINUE VACUUMING.



If No Power?



RESET BUTTON FOR POWER HEAD

Go to www.QuantumXVac.com or Call (844) 324-1411 for Assistance

OPERATING YOUR QUANTUM X

Assembling Wet Mop Kit to the Quantum X

WET/DRY HOSE



PLASTIC WANDS



SQUEEGEE HEAD

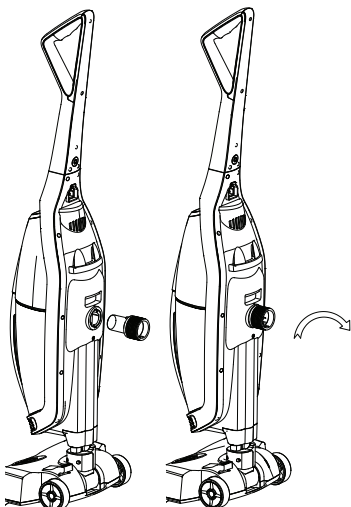


USING AS A WET MOP

ATTACH THE HOSE COUPLING TO THE INTAKE PLUG ON BACK SIDE.

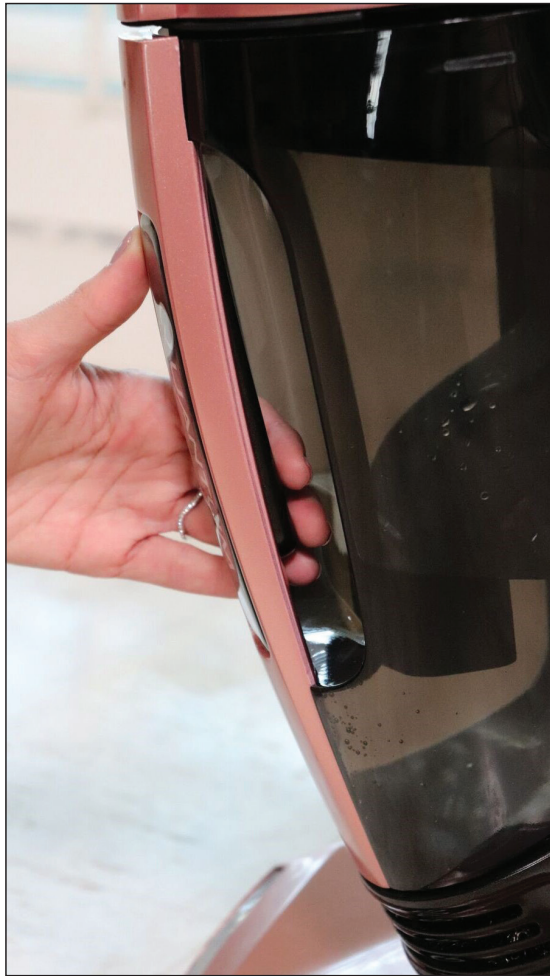


CONNECT THE 3 PLASTIC WANDS TO THE HOSE AND ATTACH THE SQUEEGEE HEAD TO THE END WAND UNTIL ATTACHMENT FITS TIGHT.



WHEN YOU'RE FINISHED VACUUMING

GRASP BASIN HANDLE FIRMLY TO RELEASE WATER BASIN TO EMPTY. ALWAYS TAKE DIRTY WATER OUTSIDE TO EMPTY.



THE BEST METHOD FOR DISPOSAL IS TO PUT THE DIRT WHERE IT BELONGS, OUTSIDE!

IT IS RECOMMENDED TO DUMP WASTE OUTSIDE WHERE THE SOLIDS CAN DECOMPOSE.

IT IS ALSO ACCEPTABLE TO POUR WASTE INTO THE TRASH. IF IT IS LIQUID, POURING IT INTO THE TOILET IS ALSO OKAY.

Go to www.QuantumXVac.com or Call (844) 324-1411 for Assistance

WATER BASIN CLEANING & STORAGE

CLEAN WATER BASIN WITH SOAP AND WATER. DRY COMPLETELY BEFORE STORING ATTACHED ON THE QUANTUM X. IF BASIN IS LEFT WITH MOISTURE, STORE BASIN SEPARATELY FROM THE QUANTUM X UNTIL DRY.



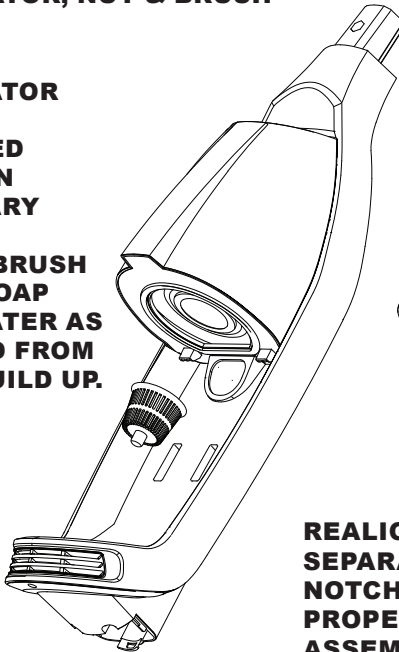
****Do Not Leave Dirty Water in the Water Basin After Vacuuming. Dump the Water Basin After Each Use.**



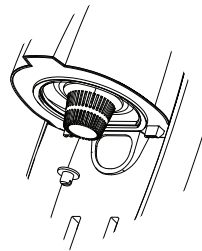
****Do Not Leave Water Basin Outside in Below Freezing Weather with or without water in basin.**

SEPARATOR, NUT & BRUSH

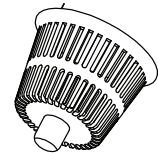
SEPARATOR CAN BE CLEANED WITH AN ORDINARY SOFT TOOTHBRUSH WITH SOAP AND WATER AS NEEDED FROM DIRT BUILD UP.



ATTACHING THE SEPARATOR BACK ON THE QUANTUM X YOU HAVE TO REALIGN THE INNER PART OF THE SEPARATOR SO THAT IT WILL FIT SECURELY BACK IN PLACE AND NUT WILL TIGHTEN BACK UP (FINGER TIGHT ONLY).



REALIGNMENT SEPARATOR NOTCH TO PROPERLY ASSEMBLE.



AIR/WATER SEPARATOR

CUSTOMER SERVICE INFORMATION

CONTACT US

Monday – Friday

(8am to 4:30pm Central Time)

204 Red Road suite 410,

McMinnville TN 37110

(844) 324-1411 Toll Free



QuantumXVac.com



(844) 324-1411

CUSTOMER SERVICE INFORMATION

LIMITED WARRANTY

What this Limited Warranty Covers

When used and maintained in normal household use and in accordance with applicable documentation, IntelliClean Solutions, LLC (“Intelliclean”) warrants to the original purchaser only that, for a period of Three (3) years from the date of purchase (the “Limited Warranty Period”), the Quantum X Vacuum and related components (the “Product”) will be materially free from defects under normal use and service. This Limited Warranty is not transferable and does not extend to anyone beyond the original purchaser who purchases the Product from Intelliclean. This Limited Warranty begins on the original date of purchase and continues through the Limited Warranty Period. This Limited Warranty is valid only on Products purchased and/or received from Intelliclean and used in the fifty (50) United States, the District of Columbia, and Canada.

What this Limited Warranty Does Not Cover

This warranty does not cover belts, and brush rolls, use of the product in a commercial operation (such as maid, janitorial and equipment rental services), improper maintenance of the product, damage due to misuse, acts of God, nature, vandalism or other acts beyond the control of Intelliclean, owner’s acts or omissions, use outside the country in which the product was initially purchased and resales of the product by the original owner. This warranty does not cover pick up, delivery, transportation or house calls. However, if you ship your product to Intelliclean for warranty service as instructed below, the cost of shipping to Intelliclean will be paid by “Customer” (After service and repaired Intelliclean pays to ship back). This warranty does not apply to products purchased outside the United States, including its territories and possessions and Canada.

CUSTOMER SERVICE INFORMATION

What Intelliclean Will Do to Correct Problems

If the Product is found to be defective as a result of manufacturing defects in materials and workmanship during the Limited Warranty Period, Intelliclean will provide labor and parts, at no cost to you, to correct any such defect, provided that you will be responsible for returning the damaged part (shipping). Intelliclean will repair or replace damaged parts and return the Product to you at Intelliclean's expense. The Limited Warranty Period for the replaced Product will end on the termination date of the Limited Warranty Period of the original Product.

How To Obtain Warranty Service

If the product fails during the Limited Warranty Period, for reasons covered by this Limited Warranty, you must you must: (1) obtain a return material authorization (RMA), (available at the QuantumXvac.com website - returns without an RMA number may be rejected by IntelliClean Solutions, LLC; (2) ship the items being returned to IntelliClean Solutions, LLC, Customer Service Center, together with a written description of the claimed defect; and (3) pay warranty processing fees (Shipping) as communicated at the QuantumXvac.com website.

Limitation of Liability

This Limited Warranty is the final, complete and exclusive agreement between Intelliclean and the purchaser regarding the Product. This warranty is governed by the laws of the State of Florida without reference to any conflict of law provisions. Any legal action to enforce this warranty against Intelliclean must be brought in a court of competent jurisdiction located in Palm Beach County, Florida.

CUSTOMER SERVICE INFORMATION

THERE ARE NO EXPRESS WARRANTIES OTHER THAN THOSE LISTED AND DESCRIBED ABOVE. NO WARRANTIES WHETHER EXPRESS OR IMPLIED, INCLUDING, BUT NOT LIMITED TO, ANY IMPLIED WARRANTIES OF MERCHANTABILITY OR FITNESS FOR A PARTICULAR PURPOSE SHALL APPLY AFTER THE EXPRESS LIMITED WARRANTY PERIOD STATED ABOVE. NO OTHER EXPRESS WARRANTY OR GUARANTY GIVEN BY ANY PERSON, FIRM OR CORPORATION WITH RESPECT TO THIS PRODUCT SHALL BE BINDING ON INTELLICLEAN. INTELLICLEAN ASSUMES NO RESPONSIBILITY THAT THE PRODUCT WILL BE FIT FOR ANY PARTICULAR PURPOSE, EXCEPT AS OTHERWISE PROVIDED BY APPLICABLE LAW.

INTELLICLEAN SHALL NOT BE LIABLE FOR LOSS OF REVENUE OR PROFITS, FAILURE TO REALIZE SAVINGS OR OTHER BENEFITS, OR ANY OTHER SPECIAL, INCIDENTAL OR CONSEQUENTIAL DAMAGES CAUSED BY THE USE, MISUSE OR INABILITY TO USE THE PRODUCT, REGARDLESS OF THE LEGAL THEORY ON WHICH THE CLAIM IS BASED, AND EVEN IF INTELLICLEAN HAS BEEN ADVISED OF THE POSSIBILITY OF SUCH DAMAGES. NO RECOVERY OF ANY KIND AGAINST INTELLICLEAN SHALL BE GREATER IN AMOUNT THAN THE PURCHASE PRICE OF THE PRODUCT CAUSING THE ALLEGED DAMAGE, WHICHEVER IS GREATER.

WITHOUT LIMITING THE FOREGOING, YOU ASSUME ALL RISK AND LIABILITY FOR LOSS, DAMAGE OR INJURY TO YOU AND YOUR PROPERTY AND TO OTHERS AND THEIR PROPERTY ARISING OUT OF THE USE, MISUSE OR INABILITY TO USE THE PRODUCT NOT CAUSED DIRECTLY BY THE NEGLIGENCE OF INTELLICLEAN. THIS LIMITED WARRANTY STATES YOUR EXCLUSIVE REMEDY.

CUSTOMER SERVICE INFORMATION

If there is any inconsistency between this Limited Warranty and any other agreement or statement included with or relating to Intelliclean products or services, this Limited Warranty shall govern. If any provision of this Limited Warranty is found invalid or unenforceable, it shall be deemed modified to the minimum extent necessary to make it enforceable and the remainder of the Limited Warranty shall remain valid and enforceable according to its terms.

Interaction of Laws with this Limited Warranty

Some states, provinces or territories may not allow limitations on how long an implied warranty lasts or the exclusion or limitation of incidental or consequential damages, so the above limitations or exclusions may not apply to you. Some states, provinces or territories may provide for additional warranty rights and remedies, and the provisions contained in this Limited Warranty are not intended to limit, modify, take away from, disclaim or exclude any mandatory warranty requirements provided by states, provinces or territories, including certain implied warranties. This warranty gives you specific legal rights, and you may also have other rights which vary depending on location.

QUANTUM X VACUUM RETURN POLICY

Our Guarantee

Your Satisfaction is 100% Guaranteed. If you are dissatisfied with any merchandise from Intelliclean Solutions for any reason, simply return the product within 30 days for an easy refund of your purchase price, excluding shipping and handling.

CUSTOMER SERVICE INFORMATION

Return Information

Please call our Service Center at (844) 324-1411 with your order number and/or your complete name, address, and email address to generate a Return Merchandise Authorization (RMA) label. Items cannot be returned without the RMA label provided by our Service Center. We suggest you ship returns to us via a GROUND method that can be tracked (UPS ground / FedEx Ground).

Along with your return, be sure to include the following:

- A.** Your RMA label provided by our Service Center
 - B.** A detailed explanation regarding your reason for returning the item(s)
 - C.** Information about whether you would like a refund or a replacement
- No other paperwork, invoice, nor preauthorization is needed for your return.

Exceptions to our Return Policy

- All items must be returned in their original packaging along with all accessories, parts, and instructions manuals that were shipped with your original order. Our 30-day return policy starts from the day your product is received.
- Return package must be postmarked within 30 days of the date that your item was delivered (regardless of what date the product was first used).
- Shipping and handling costs are non-refundable.

CUSTOMER SERVICE INFORMATION

Note: If we receive a return back in our warehouse and it does not meet our Return Policy terms, then Intelliclean Solutions, LLC. reserves the right to refuse issuing the customer a refund/replacement and the returned merchandise will be kept by the company.

Refund Policy

Once your return is received, it will be processed within 10 business days. Intelliclean Solutions, LLC. will not be responsible for loss or damage of return shipments. A credit will be issued to your original method of payment for the full purchase price of your order excluding shipping and handling and any separate fees. Credit will be issued within 5-7 business days of receiving your returned item.

Note: If we receive a return back in our warehouse and it does not meet our Return Policy terms, then Intelliclean Solutions, LLC. reserves the right to withhold any to all of the funds as deemed necessary.

QUANTUM X TECHNICAL SPECIFICATIONS

QUANTUM X SPECIFICATIONS

- Power supply: 110/120 Volt
- Frequency: 60Hz
- Consumption in **Amps.: 7.0A**
- Maximum Watts Input: 800±8%W
- Air Flow: 2.3M3/min
- **Weight: 17 Lbs.**
- **Amount of water needed?**
1 quart. There is a fill line on the water basin.
- **Length of hoses/ cords:**
The wet/dry hose is 10 FT long.
- The power cord is 25 FT long.

POWER HEAD SPECIFICATION

- Power Supply 120V
- Consumption Amps: Max 0.7A
- Consumption Watts: Max 80W
- Frequency 50/60 Hz



QUANTUM X