

Divine Time



USER MANUAL

Introduction:

Introduction: Thank you for purchasing Divine Time, the scripture reading timepiece. Each hour the Divine Time clock will automatically play a different verse from the Bible. A built-in light sensor will automatically set the clock to quiet mode at night. Divine Time serves as a faithful reminder to always keep God in your heart and home and is a great way to share your faith with your family and loved ones. We hope that you will enjoy it.



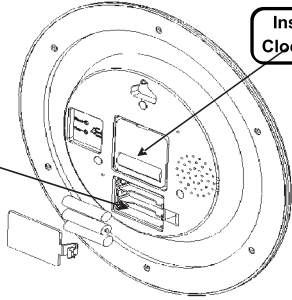
Step 1:

Insert batteries. The Divine Time requires 3 AAA batteries for the voice recordings to play and 1 AA battery for the clock (batteries not included).

Insert 3 AAA Batteries here
(Do not mix old and new batteries.
Do not mix alkaline, standard,
carbon-zinc or rechargeable
(ni-cad, ni-mh, etc.) batteries.)

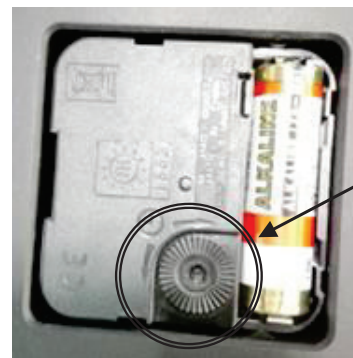
Insert 1 AA
Clock Battery

Remove Voice
Battery cover



Step 2:

Set the time.

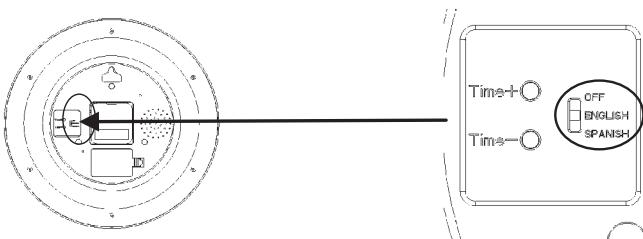


To set and adjust the time turn the wheel 1 located at the back near the clock battery.



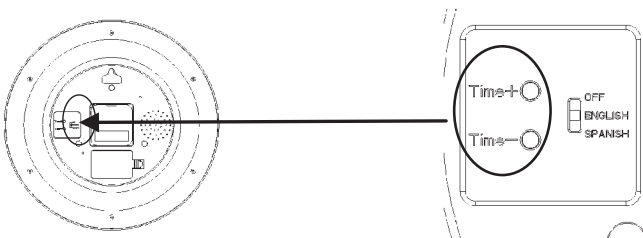
Step 3:

Set the language option to English or Spanish. You also have the option to turn the recordings off.



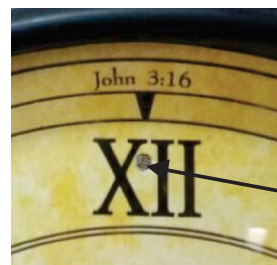
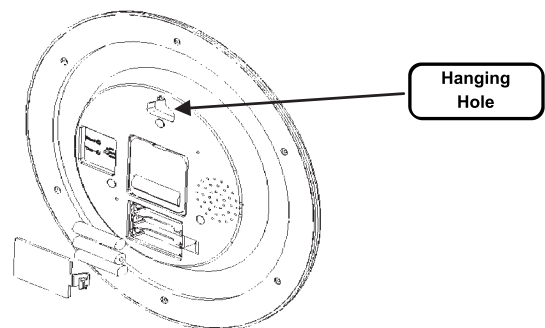
Step 4:

To align the recordings so that the Bible verse that plays each hour matches the verse printed above the hour on the face of the clock press the Time (+) and Time (-) buttons located to left of the language option. To move forward to the next hour press the Time (+) button and to move back to the previous hour press the Time (-) button.



Step 5:

To hang the Divine Time clock use the hanging hole located at the back of the clock.



Quiet Mode:

The built-in light sensor will automatically set the clock to quiet mode at night.

Built-in
light sensor



Copyright 2015 InvenTel Products LLC
300 Round Hill Drive Suite 1, Rockaway, NJ 07866.
Divine Time, Divine Time logo are trademarks of InvenTel
Products LLC (Made in China)

STOP! Before you return this item to the store please contact us at customerservice@inventel.tv and we will be happy to assist you. Please note that you will receive a response within 24-48 hours.



Divine Time



USER MANUAL

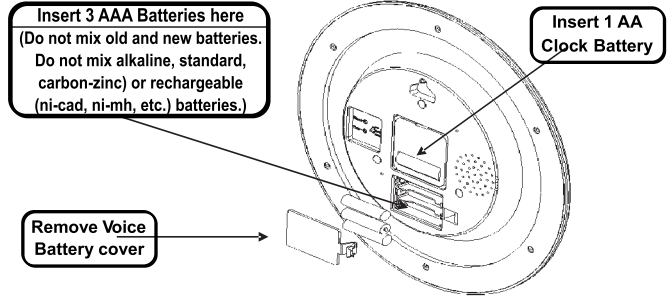
Introduction:

Introduction: Thank you for purchasing Divine Time, the scripture reading timepiece. Each hour the Divine Time clock will automatically play a different verse from the Bible. A built-in light sensor will automatically set the clock to quiet mode at night. Divine Time serves as a faithful reminder to always keep God in your heart and home and is a great way to share your faith with your family and loved ones. We hope that you will enjoy it.



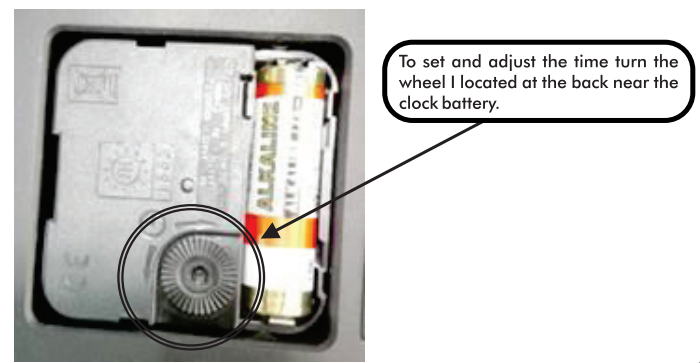
Step 1:

Insert batteries. The Divine Time requires 3 AAA batteries for the voice recordings to play and 1 AA battery for the clock (batteries not included).



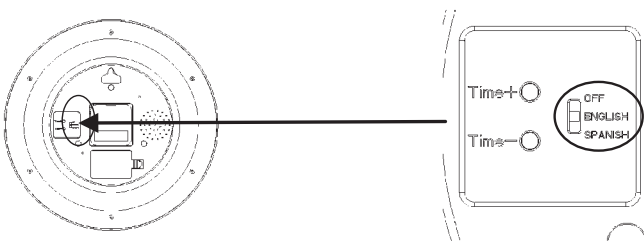
Step 2:

Set the time.



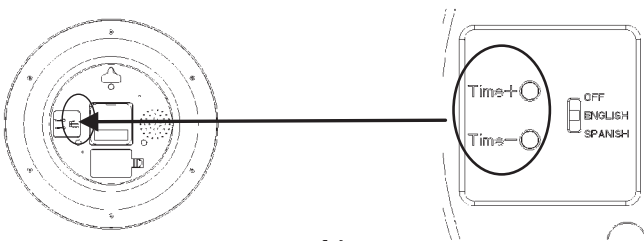
Step 3:

Set the language option to English or Spanish. You also have the option to turn the recordings off.



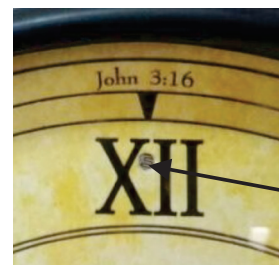
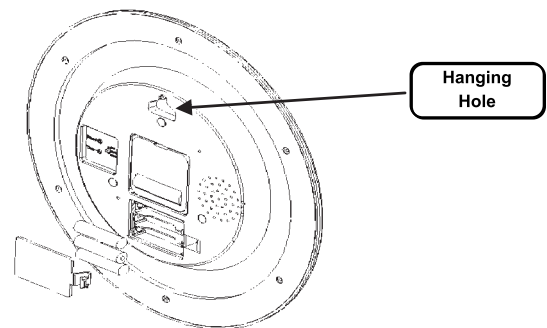
Step 4:

To align the recordings so that the Bible verse that plays each hour matches the verse printed above the hour on the face of the clock press the Time (+) and Time (-) buttons located to left of the language option. To move forward to the next hour press the Time (+) button and to move back to the previous hour press the Time (-) button.



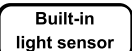
Step 5:

To hang the Divine Time clock use the hanging hole located at the back of the clock.



Quiet Mode:

The built-in light sensor will automatically set the clock to quiet mode at night.



Copyright 2015 Inventel Products LLC

300 Round Hill Drive Suite 1, Rockaway, NJ 07866.
Divine Time, Divine Time logo are trademarks of Inventel Products LLC (Made in China)



STOP! Before you return this item to the store please contact us at customerservice@inventel.tv and we will be happy to assist you. Please note that you will receive a response within 24-48 hours.



Divine Time



USER MANUAL

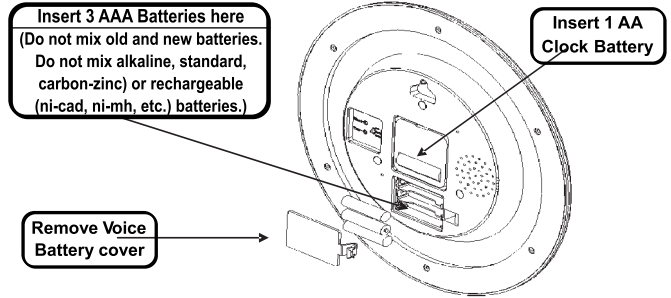
Introduction:

Introduction: Thank you for purchasing Divine Time, the scripture reading timepiece. Each hour the Divine Time clock will automatically play a different verse from the Bible. A built-in light sensor will automatically set the clock to quiet mode at night. Divine Time serves as a faithful reminder to always keep God in your heart and home and is a great way to share your faith with your family and loved ones. We hope that you will enjoy it.



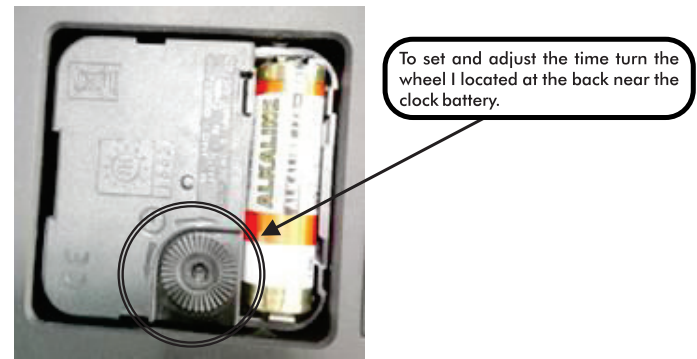
Step 1:

Insert batteries. The Divine Time requires 3 AAA batteries for the voice recordings to play and 1 AA battery for the clock (batteries not included).



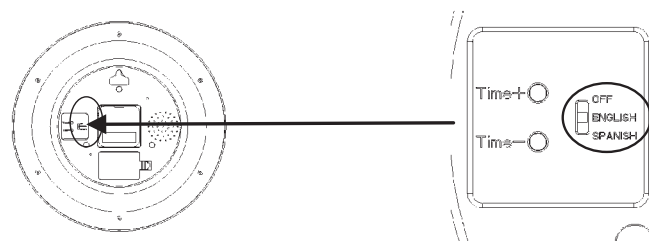
Step 2:

Set the time.



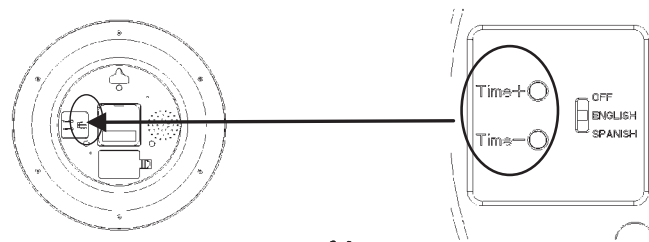
Step 3:

Set the language option to English or Spanish. You also have the option to turn the recordings off.



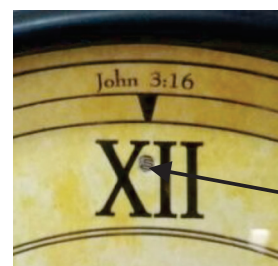
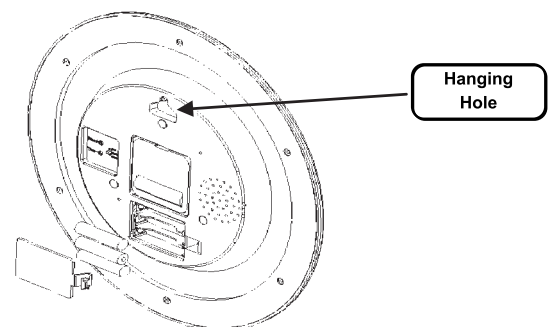
Step 4:

To align the recordings so that the Bible verse that plays each hour matches the verse printed above the hour on the face of the clock press the Time (+) and Time (-) buttons located to left of the language option. To move forward to the next hour press the Time (+) button and to move back to the previous hour press the Time (-) button.



Step 5:

To hang the Divine Time clock use the hanging hole located at the back of the clock.



Quiet Mode:

The built-in light sensor will automatically set the clock to quiet mode at night.

Built-in light sensor



Copyright 2015 Inventel Products LLC
300 Round Hill Drive Suite 1, Rockaway, NJ 07866.
Divine Time, Divine Time logo are trademarks of Inventel Products LLC (Made in China)

STOP! Before you return this item to the store please contact us at customerservice@inventel.tv and we will be happy to assist you. Please note that you will receive a response within 24-48 hours.

