

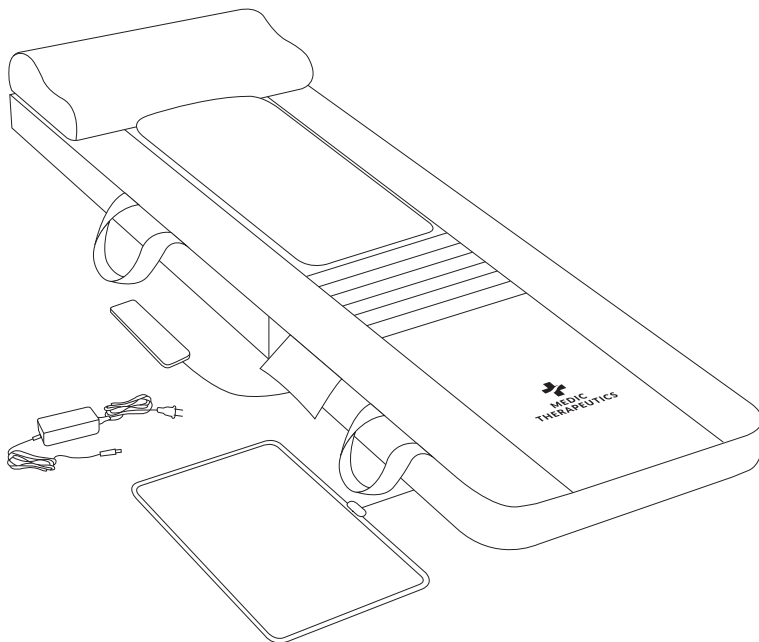


**MEDIC  
THERAPEUTICS**

---

# **10 MOTORS FULL BODY MASSAGE MATTRESS**

---



**User Manual**

## SAFETY PRECAUTIONS

---

**▲ Please read the following instructions carefully before putting your massage device into use to ensure trouble-free operation and optimum efficiency. Please retain these operating instructions for further use!**

- The massage device conforms to recognized technical principles and the latest safety regulations.
- Do not wet, do not use pins, never remove cover.
- This items is NOT A TOY. Close supervision is necessary when this appliance is used by, on, or near children or disabled persons.
- This appliance should never be left unattended when plugged in.
- Any possible repairs may only be carried out by authorized expert staff. Improper use and unauthorized repairs are not permitted for safety reasons and lead to loss of warranty.
- Never touch the power plug with wet hands.
- Please avoid contact of the device with water, high temperatures and direct sunlight.
- Do not use any damaged cables, plugs or loose sockets.
- Never operate under blankets where the air opening may be blocked.
- If plugs or cords are damaged, they must be replaced by the manufacturer, a service representative or by qualified personnel.
- In case of malfunction, disconnect immediately from the mains.
- Do not use if you have skin disorders, open wounds, or swollen or inflamed areas.
- Misuse or incorrect use excludes any liability for damage.
- Do not use while you sleep.
- In order to avoid excessively stimulating the muscles and nerves, the recommended massage time should not be exceeded 30 minutes at a time.
- Each massage – even a hand massage – must be refrained from during pregnancy or if one or more of the following complaints are present in the massage area: recent injuries, thrombotic diseases, all kinds of inflammations and swellings, and cancer. It is recommended to consult a doctor before having a massage for the treatment of ailments and illnesses.
- If you are dependent on electrical aids e.g. pacemakers, please be sure to consult your doctor for medical advice before taking a massage.
- The packaging material supplied should not be used as a toy.



**Do not wash!**



**Do not dry clean!**

## PACKAGING CONTENTS

---

- Full Body Massage Mattress
- Storage bag
- Home adapter



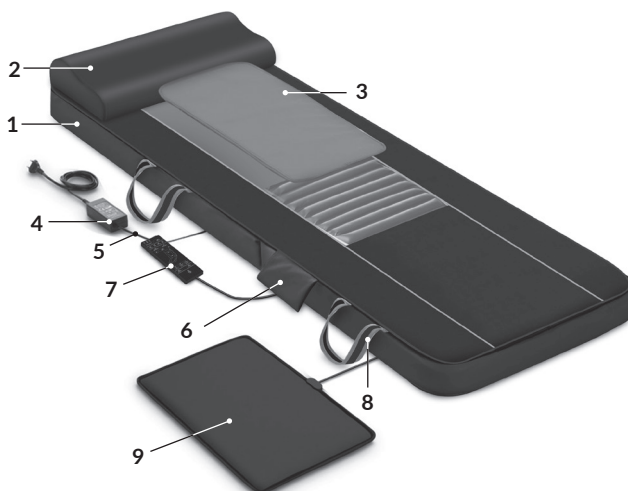
### ⚠ WARNING

Please ensure that the polythene packing is kept away from the reach of children!  
Risk of suffocation!

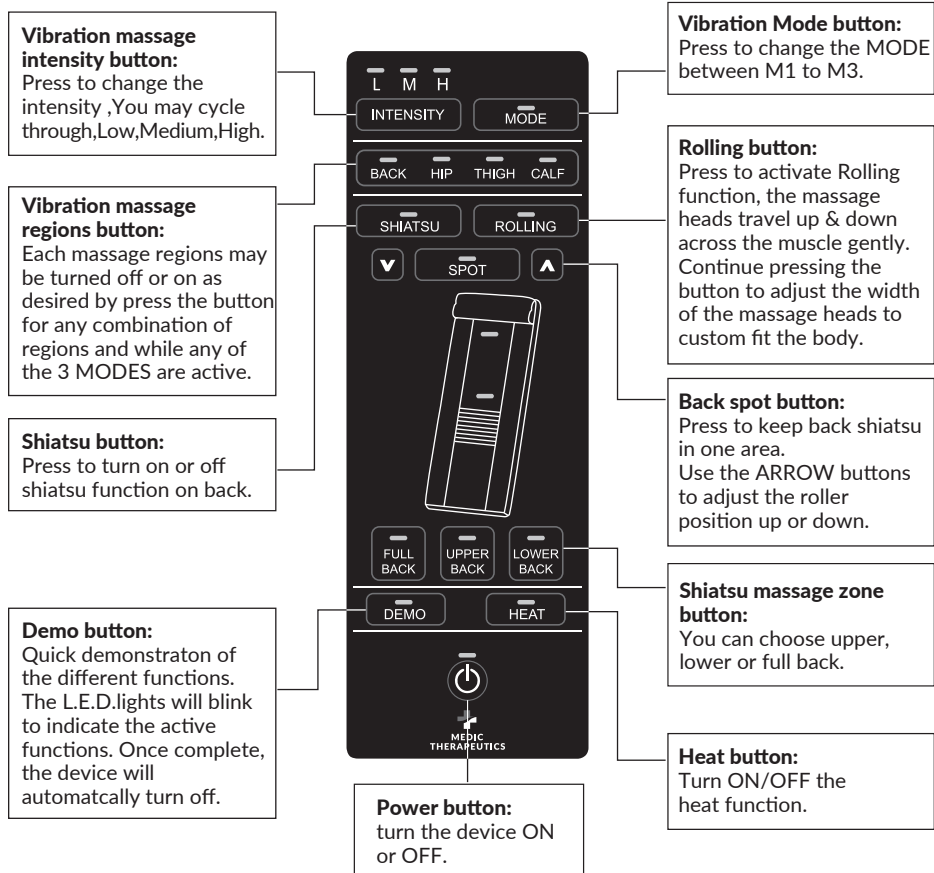
## PRODUCT OVERVIEW

---

1. Massage Mattress
2. Pillow (removable)
3. Extra pad (Removable, added to soften the shiatsu massage intensity)
4. Home adapter
5. Power cord for main unit
6. Remote control pouch
7. Remote control
8. Carrying handles
9. Heating pad



## REMOTE CONTROL OVERVIEW



## CLEANING & MAINTENANCE

---

1. Do not wash in washing machine or immerse the product or the adapter in water.
2. Always switch off before cleaning and remove the adapter from the socket with clean, dry hands.
3. The massager should be wiped down with a slightly moist cloth and dried thoroughly. Do not wipe the product with alcohol or harsh chemicals such as thinner or bleach.
4. Keep away from heat, fire or exposure to direct sunlight.
5. Store the massager in a cool, dry place out of reach of children.
6. Avoid contact with sharp edges or pointed objects which might cut or puncture the fabric surface.

## PRODUCT SPECIFICATIONS

---

- Size of product itself: 69X22 inches
- Net weight of product itself: 7.5KGS
- Single package size: 105.5X19.5X60.5CM
- Net weight of product including package: 9KGS
- Exterior Materials: 100% Polyester & PVC Leather
- Voltage supply: 100-240 V~ 50/60 Hz
- Power supply unit: 12V 3500 mA
- Power consumption: 42 W
- Timer: 15 minutes
- Operating conditions: only use in dry rooms
- Storage conditions: in a cool, dry place
- Adapter Cable Length: approx. 1.8m



In accordance with our policy of continual product improvement, we reserve the right to make technical and optical changes without notice.

## LIMITED LIFETIME WARRANTY

---

Your Medic Therapeutics Product is backed by a limited lifetime manufacturer's warranty. Medic Therapeutics will repair or replace your device at any time should it fail due to a defect in material or workmanship, subject to the certain limitations.

This limited warranty does not cover any damage that results from unauthorized or improper use, service, or repair. Further, it does not cover damage caused by accident, impact, negligence, or normal wear and tear. Should you discover your Medic Therapeutics Product is not functioning properly, please send your device to our repair center for evaluation. If your product cannot be repaired or serviced, we will reserve the right to change it for a similar or newer model.

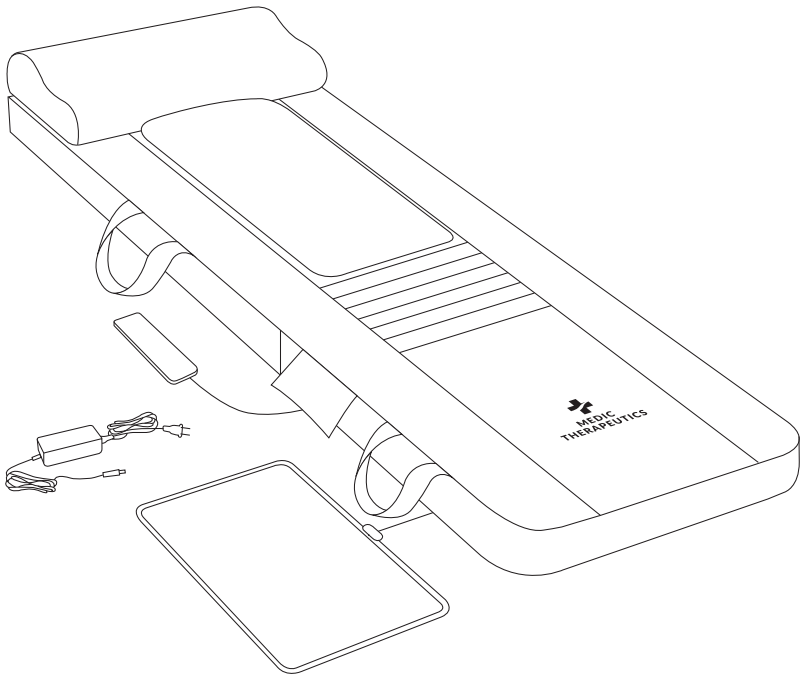
Please note that a flat rate of \$90.00 will be charged to cover a service evaluation fee and return shipping of your device. All warranty claims must be accompanied by a copy of your proof of purchase from an authorized retailer. Please send your device, proof of purchase, and a check or money order in the amount of \$90.00 made out to Medic Therapeutics to:

**Address:**

Medic Therapeutics Service Center  
3069 Taft Street  
Hollywood, FL 33021

**Contact:**

warranty@medictherapeutics.com





**MEDIC  
THERAPEUTICS**