

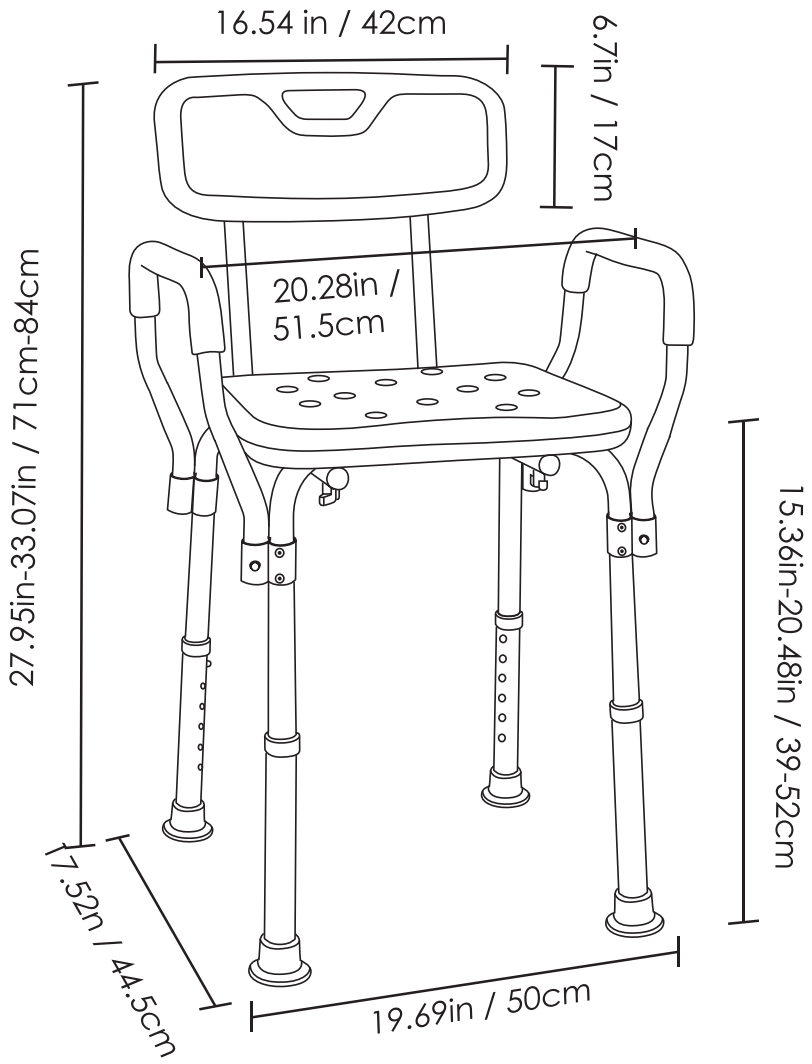


**MEDIC
THERAPEUTICS**

**BATHTUB AND SHOWER
ASSISTANCE CHAIR**



User Manual

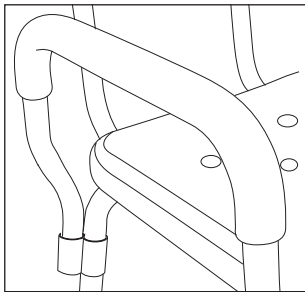


SPECIFICATIONS

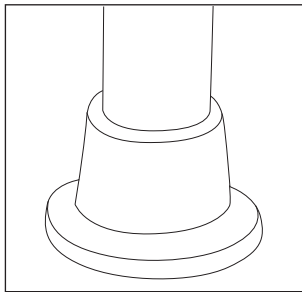
Support Pipe:	Aluminum
Handrail & Base:	EVA foam + Rubber
Backrest & Seat plate:	HDPE+H62
Net Weight:	7 lbs.
Max Loading:	300 lbs.
Base Height Range:	15.5" - 20.5" Inches

FEATURES

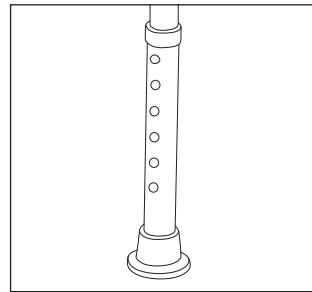
- Comfortable seat plate and EVA foam padded armrests.
- Armrests provide a comfortable grip without the risk of slipping.
- Each leg is capped with a rubber, non-slip, anti-skid tip for assured safety.
- Adjustable height support legs, to best fit user's preference.
- Durable seat plate and backrest that is easy to clean. Rustproof material, providing a long lifetime of usage. Lightweight, makes it easy to move around.
- Detachable armrests and backrest, for your preference.
- Easy to assemble, no tools needed.



EVA foam padded
armrests

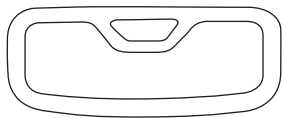


Rubber, non-slip,
anti-skid caps

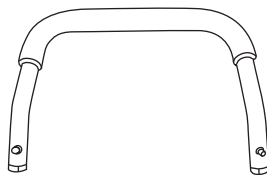


Adjustable height
support legs

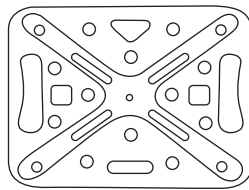
PARTS INCLUDED



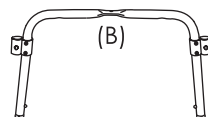
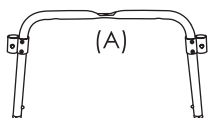
Chair Backrest x 1



Armrest x 2



Seat Plate x 1



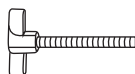
Base Support Pipe A x 1
Base Support Pipe B x 1



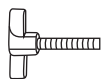
Support Legs x 4



Backrest Support
Pipe x 2



Long Screw x 4

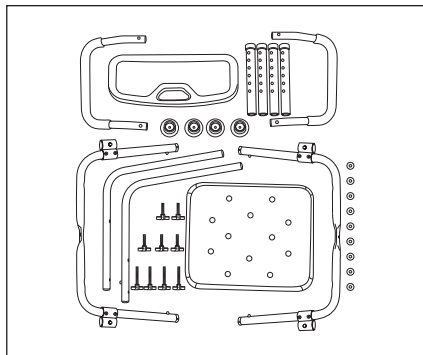


Short Screw x 5

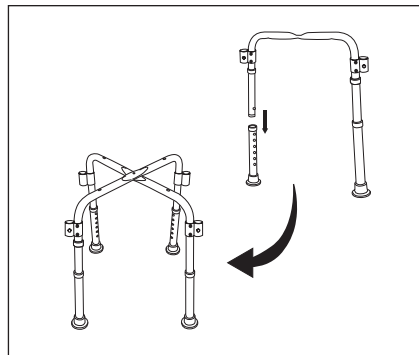


Washer x 9

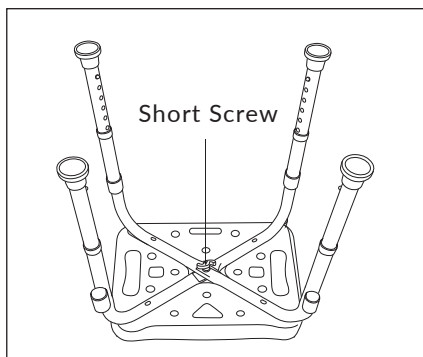
ASSEMBLING INSTRUCTIONS



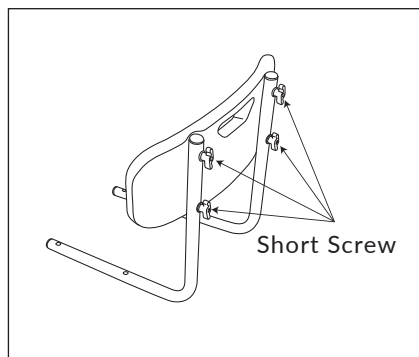
1. Take out all parts and confirm all pieces are there.



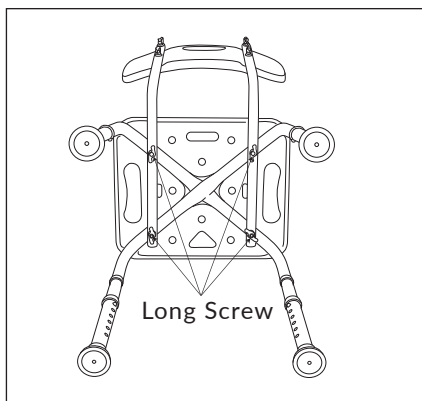
2. Attach the Support Legs to the Base Support Pipes (A and B). Then overlap Base Support Pipes A and B together.



3. Align Base Support Pipes in the slots located under the Seat Plate. Once aligned insert one Short Screw along with washer and tighten until secure.



4. Attach the chair backrest to the backrest support pipes using four Short Screws along with four washers.



5. Attach the two Backrest Support Pipes with the Seat Plate by using the four Long Screws along with washers and tighten until secure.



6. Attach the two Armrests with the Seat Plate until they clasp in.

CAUTION

- Seat plate and support base has a maximum weight limit of 300 lbs.
- Avoid excessively bending and adding too much pressure to support pipes in general.
- Please ensure the all parts of chair are fixed tightly before use.
- This is not a toy, do not leave children unattended while using it.
- Make sure that adjustable height marbles are protruding out of each hole. This ensures they are securely locked and confirms the height selected is even.
- Check the rubber tips on the support legs are not ripped, torn, or missing. If so, immediately replace if any of these imperfections exist.
- ALL four support legs with rubber tips MUST touch the floor simultaneously at all times.
- DO NOT stand on chair.

NOTE: To maintain, clean with mild soap and rinse with warm water. Wipe bath seat dry after each use.

LIMITED LIFETIME WARRANTY

Your Medic Therapeutics product is backed by a limited lifetime manufacturer's warranty. Medic Therapeutics will repair or replace your device at any time should it fail due to a defect in material or workmanship, subject to the certain limitations.

This limited warranty does not cover any damage that results from unauthorized or improper use, service, or repair. Further, it does not cover damage caused by accident, impact, negligence, or normal wear and tear. Should you discover your Medic Therapeutics product is not functioning properly, please send your device to our repair center for evaluation. If your product cannot be repaired or serviced, we will reserve the right to change it for a similar or newer model.

Please note that a flat rate of \$25.00 will be charged to cover a service evaluation fee and return shipping of your device. All warranty claims must be accompanied by a copy of your proof of purchase from an authorized retailer. Please send your device, proof of purchase, and a check or money order in the amount of \$25.00 made out to Medic Therapeutics to:

Address:

Medic Therapeutics Service Center
3069 Taft Street
Hollywood, FL 33021

Contact:

warranty@medictherapeutics.com



**MEDIC
THERAPEUTICS**