



COOK'S[®]
COMPANION

Multi-Food Slicer
Owner's Manual

Save These Instructions - For Household Use Only

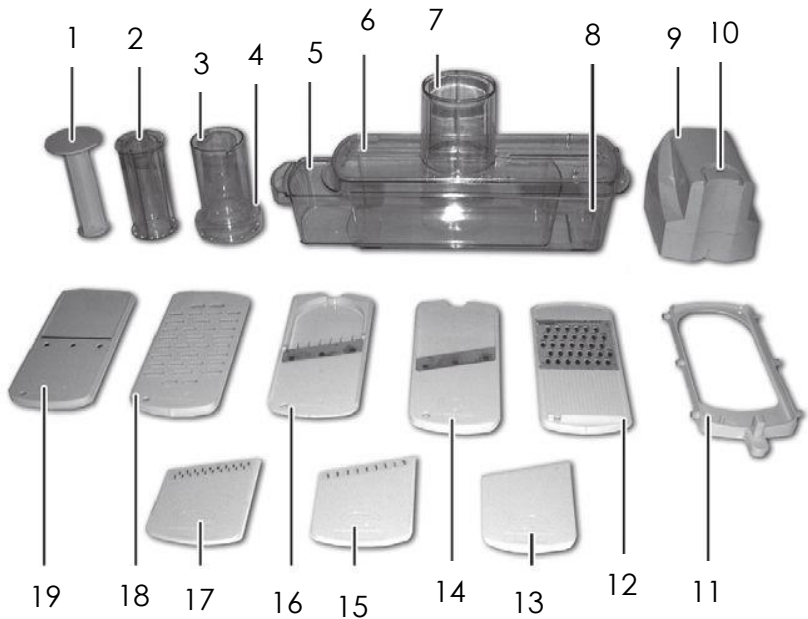
IMPORTANT SAFEGUARDS

When using your appliance, basic safety precautions should always be followed, including the following.

1. **Read all instructions prior to using**
2. To protect against electrical shock do not immerse cord, plug or motor unit in water or other liquid.
3. Close supervision is necessary when any appliance is used by or near children.
4. Unplug from the outlet when not in use and before cleaning. Allow to cool before putting on or taking off parts and before cleaning.
5. Do not operate any appliance with a damaged cord or plug, or after the appliance malfunctions or has been damaged in any manner. Return the appliance to the nearest authorized service facility for examination, repair or electrical or mechanical adjustment
6. The use of accessory attachments not recommended by the appliance manufacturer may cause injuries, or damage the unit.
7. Do not use outdoors.
8. Do not let the cord hang over the edge of table or counter, or touch hot surfaces.
9. Avoid contact with moving parts.
10. For household use only.
11. This appliance has a polarized plug (one blade is wider than the other). To reduce the risk of electric shock, this plug is intended to fit into a polarized outlet only one way. If the plug does not fit fully into the outlet, reverse the plug. If it still does not fit, contact a qualified electrician. Do not attempt to modify the plug in any way.
12. Moving parts. Keep fingers out of discharge openings.
13. Never add food by hand. Always use the food pushers.
14. Sharp blade, handle carefully.

SAVE THESE INSTRUCTIONS HOUSEHOLD USE ONLY

PARTS DESCRIPTION



- | | |
|------------------------------------|---|
| 1. Small pusher | 11. Attachment holder |
| 2. Small feeder tube/medium pusher | 12. Grater attachment |
| 3. Medium feeder tube/large pusher | 13. Small slicer attachment, thin slices |
| 4. Locking ring with on/off button | 14. Large slicer attachment, thick slices |
| 5. Collection tray | 15. Julienne attachment, thick strips |
| 6. Lid | 16. French fry attachment |
| 7. Large feeder tube | 17. Julienne attachment, thin strips |
| 8. Base | 18. Puree attachment |
| 9. Motor section | 19. Ice attachment |
| 10. Activation pin | |

UNIT SPECIFICATIONS

Model No.	Supply Power	Rated Power
B422784-00003-0000 (black)	120V, 60Hz	30W
B422784-00005-0000 (red)		
B422784-00006-0000 (blue)		

POLARIZED PLUG

This appliance has a polarized plug (one blade is wider than the other). To reduce the risk of electric shock, this plug is intended to fit into a polarized outlet only one way. If the plug does not fit fully into the outlet, reverse the plug. If it still does not fit, contact a qualified electrician. Do not attempt to modify the plug in any way. Do not let children handle or put the electrical cord into their mouths.

BEFORE THE FIRST USE

- Remove all packaging and transport materials from the inside and outside of the appliance.
- Before using the appliance for the first time (or after prolonged storage without use), wash any parts that will come into contact with food. See “Cleaning and Maintenance” section for reference.
- It is recommended to use a little vegetable oil on the accessories to avoid staining from vegetables such as carrots and beetroot.

OPERATING INSTRUCTIONS

ASSEMBLY

- Place the base unit (8) on a flat surface.
- Push the collection tray (5) into the base unit and ensure that the handle faces outwards.
- Install the chosen attachment into the holder, depending on what you are going to use the appliance for (see “Attachments” section below). Turn the holder so that the pin on the small handle faces

upwards. Place the attachment in the holder so that the small round hole fits over the pin on the left side of the holder.

- Place the holder with the installed attachment onto the base unit so that the rollers rest on the inside edge. The end with the small handle should be placed in the furthest end of the base unit.
- Place the lid (6) onto the base unit while ensuring that the slit in the lid fits over the pin on the holder's small handle. Press the lid until it clicks into place. Using a finger, check whether the holder can be moved freely back and forth.
- Install the motor unit (9) above the lid, so that it fits down over the pin in the slit and the two pins at the top of the lid.
- Decide whether to use the large (7), medium (3) or small (2) feeder tube, depending on the size of the vegetables you are going to chop/slice. Select the corresponding pusher that matches the size of the feeder tube opening. See explanation in the table below.
- The locking ring (4) fixed around the medium-sized feeder tube is equipped with a tab that acts as an on/off button. The tab should be fitted into the recess around the activation pin (10) on the motor unit before the appliance can be started. The appliance is designed so that this part is always used, either as a feeder tube or as a part of the large pusher.
- The appliance is now ready for use.

Desired Feeder tube Size	Assembled Pusher to Use
Small diameter (40 mm)	Small pusher
Medium diameter (60 mm)	Medium pusher (combine small feeder tube and small pusher)
Large diameter (80 mm)	Large pusher (combine medium feeder tube and assembled medium pusher above)

WARNING:

- NEVER put fingers, utensils or other objects into the feeder tubes or collection tray while the appliance is in use.
- NEVER use fingers, kitchen utensils or other objects to push ingredients down the feeder tube. Always use the pusher.
- NEVER touch the moveable parts while the appliance is switched on or connected to the mains.

ATTACHMENTS

GRATER ATTACHMENT

The grater attachment (12) is intended for grating vegetables and cheese. Hard cheeses, like parmesan, are best suited for grating.

- Install the grater attachment into the attachment holder and install the holder onto the appliance.
- Install the lid and motor unit onto the appliance.
- Connect the appliance.
- Select the feeder tube that corresponds to the size of the foods to be grated.
- Cut the cheese or vegetables into long sticks, then place the sticks in the feeder tube.
- Ensure that the tab on the locking ring fits down into the recess around the activation pin.
- Hold the pusher with one hand and slowly push it down into the feeder tube, while holding down the off button on the locking ring with the other hand.
- Release the on/off button on the locking ring to stop the appliance if you wish to add more vegetables. Turn the tab on the locking ring away from the motor unit while filling it to avoid accidentally starting the appliance.
- Pull out the collection tray and empty out the grated cheese/vegetables when you have finished grating.

SLICER ATTACHMENTS

The slicer attachments are intended for use with vegetables only. Do not use with other types of food or frozen foods. The slicer attachments are not suitable for leeks, spring onions or soft vegetables, such as eggplant.

- Install one of the slicer attachments into the holder and install the holder onto the appliance.
 - If you want thick slices (5 mm), use the large slicer attachment (14) on its own.

- If you want thin slices (1 mm), install the small slicer attachment (13) onto the large slicer attachment by pushing the sloping end down against the blade.
- Install the lid and motor unit onto the appliance.
- Connect the appliance.
- Select the feeder tube that corresponds to the size of the foods to be sliced.
- Cut the vegetables into suitably sized pieces and place the pieces in the feeder tube.
 - Long vegetables such as cucumber and carrots can be cut into sticks or thick slices to produce triangular or rectangular slices.
 - Place long, tapered vegetables with the thickest end facing downwards.
- Ensure that the tab on the locking ring fits down into the recess around the activation pin.
- Hold the pusher with one hand and slowly push it down into the feeder tube, while holding down the off button on the locking ring with the other hand.
- Release the on/off button on the locking ring to stop the appliance if you wish to add more vegetables. Turn the tab on the locking ring away from the motor unit while filling it to avoid accidentally starting the appliance.
- Pull out the collection tray and empty out the vegetables when you have finished slicing.

JULIENNE ATTACHMENT

The julienne attachments are intended for cutting vegetables into fine strips (julienne). Do not use with other types of food or frozen foods. The julienne attachments are not suitable for hollow or soft vegetables such as peppers, tomatoes, eggplant, lemons or leeks.

- Install one of the julienne attachments onto the slicer attachment by pushing the sloping end down towards the blade.
 - If you want thick strips, install the julienne attachment for thick strips (15).
 - If you want thin strips, install the julienne attachment for thin strips (17).

- Install the slicer/julienne attachment into the holder and install the holder onto the appliance.
- Install the lid and motor unit onto the appliance.
- Connect the appliance.
- Select the feeder tube that corresponds to the size of the foods to be sliced.
- Cut the vegetables into pieces of a suitable length and place the pieces in the feeder tube. Turn the pieces so that the vegetable fibers are parallel to the slicing direction, i.e. so that they are laying across the feeder tube.
- Ensure that the tab on the locking ring fits down into the recess around the activation pin.
- Hold the pusher with one hand and slowly push it down into the feeder tube, while holding down the off button on the locking ring with the other hand.
- Release the on/off button on the locking ring to stop the appliance if you wish to add more vegetables. Turn the tab on the locking ring away from the motor unit while filling it to avoid accidentally starting the appliance.
- Pull out the collection tray and empty out the vegetable strips when you have finished slicing.

FRENCH FRY ATTACHMENT

The French fry attachment (16) is intended for use with potatoes only. We do not recommend using the attachment for other vegetables.

- Install the French fry attachment into the holder and install the holder onto the appliance.
- Install the lid and motor unit onto the appliance.
- Connect the appliance.
- Select the feeder tube that corresponds to the size of the potatoes to be sliced.
- Place a whole potato into the feeder tube. If desired, cut the bottom of the potato to make it easier to push it down evenly.
- Ensure that the tab on the locking ring fits down into the recess around the activation pin.
- Hold the pusher with one hand and slowly push it down into the feeder tube, while holding down the off button on the locking ring with the other hand.

- Release the on/off button on the locking ring to stop the appliance if you wish to add more vegetables. Turn the tab on the locking ring away from the motor unit while filling it to avoid accidentally starting the appliance.
- Pull out the collection tray and empty out the potato sticks when you have finished slicing.

PUREE ATTACHMENT

The puree attachment (18) is intended for finely chopping vegetables, such as garlic or fresh ginger.

- Install the chopping attachment into the holder and install the holder onto the appliance.
- Install the lid and motor unit onto the appliance.
- Connect the appliance.
- Select the feeder tube that corresponds to the size of the foods to be finely chopped.
- Cut the vegetables into suitably sized pieces and place the pieces in the feeder tube.
- Ensure that the tab on the locking ring fits down into the recess around the activation pin.
- Hold the pusher with one hand and slowly push it down into the feeder tube, while holding down the off button on the locking ring with the other hand.
- Release the on/off button on the locking ring to stop the appliance if you wish to add more vegetables. Turn the tab on the locking ring away from the motor unit while filling it to avoid accidentally starting the appliance.
- Pull out the collection tray and empty out the finely chopped vegetables when you have finished chopping.

ICE ATTACHMENT

The ice attachment (19) is intended for making crushed ice. It should not be used for vegetables or other foods.

- Install the ice attachment into the holder and install the holder onto the appliance.
- Install the lid and motor unit onto the appliance.
- Connect the appliance.

- Fill the large feeder tube with ice cubes. The feeder tube must not be filled to more than 80% full.
- Cut the vegetables into suitably sized pieces and place the pieces in the feeder tube.
- Ensure that the tab on the locking ring fits down into the recess around the activation pin.
- Hold the pusher with one hand and slowly push it down into the feeder tube, while holding down the off button on the locking ring with the other hand.
- Release the on/off button on the locking ring to stop the appliance if you wish to add more ice. Turn the tab on the locking ring away from the motor unit while filling it to avoid accidentally starting the appliance.
- Pull out the collection tray and empty out the crushed ice when finished.

CLEANING AND MAINTENANCE

- Remove the plug from the socket and allow the appliance to cool before cleaning.
- Do not immerse the motor section of the appliance in water and make sure no water enters the appliance.
- Clean the motor section by wiping it with a damp cloth. A little detergent can be added if the appliance is heavily soiled.
- Do not use scouring pads, steel wool or any form of strong solvents or abrasive cleaning agents to clean the appliance, as they can damage the external surfaces of the appliance.
- Take the appliance apart and clean all of the accessories separately. The base unit, lid, collection tray, feeder tubes and pushers can be cleaned in warm water with a little mild detergent. The holder and the attachments should be rinsed under running water. If they have become stained from use, wash them using some mild detergent. The parts are not dishwasher safe.
- Be careful not to touch the blades or sharp parts during use and cleaning.
- **IMPORTANT:** Allow to dry completely after cleaning. Do not use the appliance if it is damp.
- Ensure the appliance is clean and dry before storing.

STORAGE

- Ensure that the appliance is clean, dry and completely cool before storing it.
- Store the appliance in a clean and dry place.
- To store the appliance taking more efficiently, place the grater attachment in the holder and place the holder in the collection tray. Place all other attachments in the bottom of the collection tray. Insert the pushers inside one another and place inside the large feeder tube, install the motor unit in its place.
- Do not place heavy objects on top of the appliance.
- The cord must not be twisted or wound around the appliance.

