

## 90 DAY LIMITED WARRANTY

Course Housewares, LLC warrants this Calla® product to be free from manufacturer defect for up to 90 Days from the original date of purchase. If a defect is found to exist, Course Housewares will, at its option, either repair or replace the product or the defective component, including labor. Replacement will be made with a new or rebuilt product or components. This warranty does NOT cover (a) ordinary wear and tear (such as scratches, chips or stains), (b) impact damage or breakage, (c) heat discoloration, minor imperfections and slight color variations in the plastic or any other part thereof, which are a normal part of the craftsmanship, (d) extreme temperature or resulting damage to the product, (e) improper cleaning methods causing scratches or damage to the unit itself, or (f) accessories, even if sold with the product, (g) any unit that has been tampered with, (h) damages incurred through improper use and care and (i) faulty packaging by you or mishandling by any common carrier. Failure to follow the accompanying Care and Use instructions or commercial use will void this warranty.

Course Housewares' sole obligation and your exclusive remedy under this warranty is limited to repair or replacement, at its option, of the defective product. You will be responsible for any shipping and handling fees. Products returned to us that are not found to be defective in material or workmanship will be returned to you. If your particular product is found defective but is no longer available and cannot be repaired, a comparable product, at our discretion, will be sent as a replacement. Course Housewares cannot guarantee a replacement of the same color as your original purchase. This warranty extends only to the product's original purchaser, US residents only and does not cover damage caused by improper use or accidental damage. This warranty covers the Hydrogen Water Generating System only.

COURSE HOUSEWARES, LLC MAKES NO OTHER WARRANTIES, EITHER EXPRESSED OR IMPLIED, REGARDING THE PRODUCT OR RELATING TO ITS QUALITY, PERFORMANCE, MERCHANTABILITY, OR FITNESS FOR A PARTICULAR PURPOSE, COURSE HOUSEWARES, LLC SHALL NOT BE LIABLE FOR INDIRECT, CONSEQUENTIAL OR SPECIAL DAMAGES WHETHER A CLAIM IS BASED ON CONTRACT, TORT, WARRANTY OR OTHERWISE, IN NO EVENT WILL LIABILITY EXCEED THE ORIGINAL PURCHASE PRICE OF THE PRODUCT. THE DURATION OF ANY IMPLIED WARRANTY WHATSOEVER, INCLUDING BUT NOT LIMITED TO THE WARRANTIES OF MERCHANTABILITY AND FITNESS FOR A PARTICULAR PURPOSE, SHALL BE LIMITED TO THE DURATION OF THE EXPRESS WARRANTY PROVIDED HEREIN. COURSE HOUSEWARES SHALL NOT BE LIABLE FOR ANY INCIDENTAL OR CONSEQUENTIAL DAMAGES WHATSOEVER.

Some states do not allow limitations on how long an implied warranty lasts or the exclusion or limitation of incidental or consequential damages, so the above limitation or exclusion may not apply to you. This warranty gives you specific legal rights, and you may have other legal rights, which vary from State to State.

To Process a claim:

Do not return the product to the retailer from which it was purchased. Your retailer has no liability for this warranty. Please contact the Course Housewares customer service department for assistance and to ensure the fastest possible resolution to the problem. Please have your purchase information available to speed this process.

OR

Send your name, physical address, phone number, original purchase receipt and the safely packaged item prepaid to:

Course Housewares, LLC  
1715 Lake Drive West Chanhassen,  
MN 55317  
(866) 325-1659

Return shipping and handling charges may apply.

MADE IN CHINA  
MODEL: CCHWG1



## Calla™ H2 Hydrogen Water Generator



## Getting Started

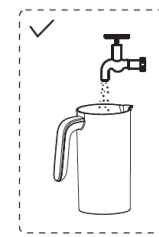
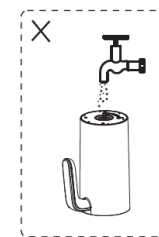
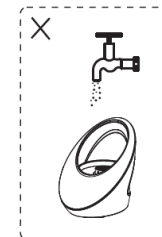
- ◆ Before using, remove any labels and wash and dry each item in accordance with the care and use instructions.
- ◆ For best results, first remove the white cartridge from its packaging and rinse under water for at least 1 minute.

## Compatibility

- ◆ The Calla™ H2 Hydro Pitcher requires a voltage of DC12V/2A~ 15W, please make sure your outlet is compatible before using your product.
- ◆ Never submerge or soak the base or pitcher itself to prevent electrical shock and/or damage to the device.
- ◆ The included power adapter should not be used with any other device besides your Calla™ H2.

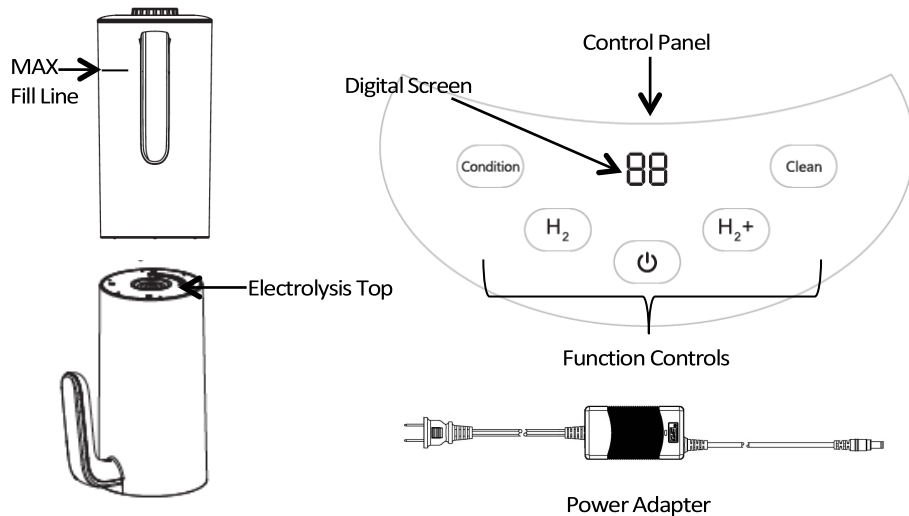
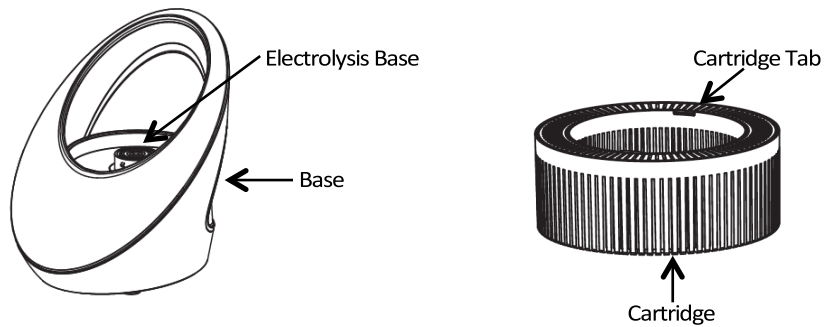
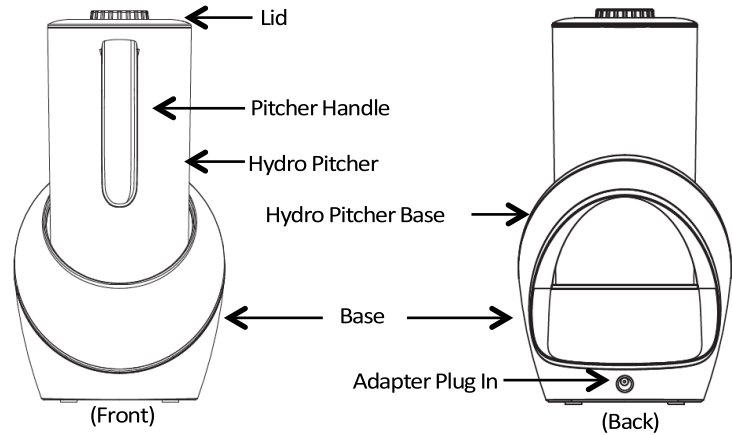
## WARNINGS:

- Do not place any part of your device in the microwave or in/on any other heat source.
- Do not place any part of the Calla H2 directly in the refrigerator or freezer at any time.
- Follow all Care & Use instructions before using your device.
- Never submerge any part of the Calla H2, other than the Cartridge, in water to avoid electrical shock and damage to the device.
- Only rinse the interior of the Hydro Pitcher as needed, never submerge the base/exterior of the Pitcher in water to avoid electrical shock and /or damage to the device.
- Always make sure your device is placed on a dry area.
- Never plug the cord into the base with the pitcher attached, especially if filled with water.
- Never place any other fluid or substance in the Hydro Pitcher. Only use non- flavored household drinking water, pure water, mineral, or carbonated water. Using any other substance may damage the Hydro Pitcher and will not be covered by warranty.
- Never place any part of the Hydro Pitcher in the dishwasher.
- Never place detergent into the pitcher or on any other part. Please refer to the cleaning section of your booklet for instructions on how to properly clean your device.
- Always store your device in a dry area away from other appliances.
- Keep away from children and pets at all times.
- Do not use the Hydro Pitcher if any part is cracked, broken, or malfunctions. Discontinue use and contact Customer Service immediately for further instruction.
- Never attempt to use the Hydro Pitcher on any function without water in the pitcher.
- Always ensure the lid is on the Hydro Pitcher prior to using any function.



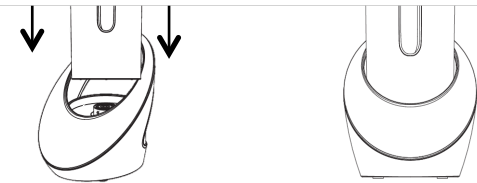
## Your Hydro Pitcher

- ◆ Before using your Hydro Pitcher, it is important to understand what is included and how each part works. Please review the parts below and also reference this page for any questions while reading through your instructions.



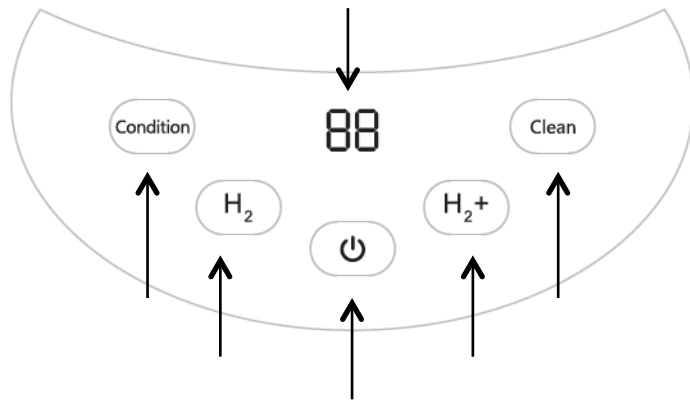
## Assembling Your Hydro Pitcher

- ◆ To begin using your Hydro Pitcher, first rinse out the interior of the Hydro Pitcher. Be careful to not wet the exterior of the pitcher and do not submerge into water at any time.
- ◆ Next, you will need to rinse the cartridge under running water for 1 minute. Make sure to rotate the cartridge under the running water, so that the entire cartridge is rinsed.
- ◆ Once you have rinsed the pitcher and the cartridge, you will place the cartridge inside the pitcher. There are 2 small tabs on the top of the cartridge. When placed into the pitcher, make sure the two tabs are on the top/facing upwards or the cartridge will not sit correctly inside the pitcher.
- ◆ You may now fill the Hydro Pitcher with any non-flavored tap, pure, mineral, or carbonated water to the desired amount; not exceeding the MAX fill line on the Hydro Pitcher. Place the lid on the pitcher and set the pitcher aside in a dry area to continue setting up the base of your Hydro Pitcher.
- ◆ To connect the base, find the circular plug in on the adapter and connect to the adapter plug in on the back of the Base. Then plug the adapter into a compatible outlet.
- ◆ Once the base is plugged in to a compatible outlet, the base will beep once and the digital display will blink twice. The display will show "00" when it is ready to be used.
- ◆ Place the Hydro Pitcher onto the Electrolysis base so that the handle is facing the front of the base.
- ◆ Your Hydro Pitcher is now fully assembled and ready to be used. Please continue to the next section for instructions on how to use the different functions.



## Using Your Hydro Pitcher

- ◆ Once your device is completely assembled you are ready to begin using your Hydro Pitcher. Please read through the functions below before using your device.
- ◆ To begin using, first press the Power Button and all function controls will light up. Your device is now ready for use and you may select the desired function.
- ◆ Condition: The condition function prepares your water for the H2 or H2+ function. It is recommended to use the condition function before using the Hydrogen Functions every time for best results. This function will take 10 minutes from start to finish. Begin by pressing the power button on the control panel. All functions will then light up through LED lights, simply press the Condition function one time and the process will begin. You will notice when the Condition function is pressed only this function will be lit up, the digital display will show "10," and the water in the pitcher will be spinning in a tornado like form. The display will begin counting down and the LED lights in the pitcher will begin changing colors while the Hydro Pitcher is in the conditioning process. Once the process is complete, you will hear 6 beeps, the led lights and power will turn off, and the display will show "00" again. Please note that this function can be skipped, however conditioning the water will benefit the H2 and H2+ functions.
- ◆ H2: For best results, we recommend using the Condition cycle prior to using the Hydrogen functions. The H2 function will use electrolysis to increase the Hydrogen in your water to approximately 600ppb (parts per billion). Touch the H2 function on the control panel and the display will show "08," indicating 8 minutes. The pitcher will then begin to look slightly cloudy and the LED lights will begin changing colors. At the very end of the cycle the water will spin itself once more to signify the end of the cycle. Once the cycle has been completed you will hear 6 beeps and the water generator will power down. Enjoy the Hydrogen water immediately, as the Hydrogen will begin to slowly dissipate as it sits. In order to consume the most hydrogen rich water, it is recommended to drink the water within 30 minutes of the completion of the H2 or H2+ cycle. The amount of Hydrogen in the water will return to zero in approximately 1-½ hours.

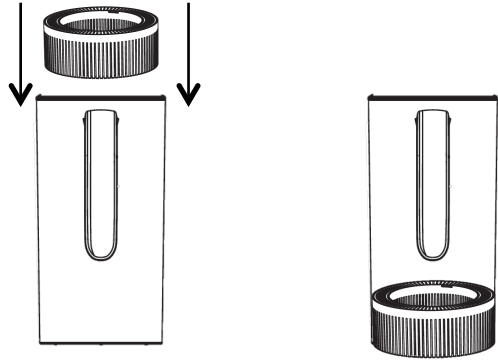


## Using Your Hydro Pitcher

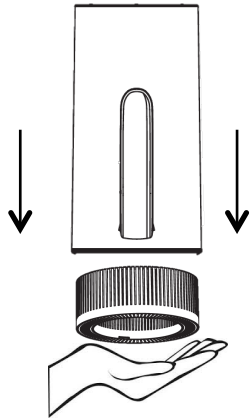
- ◆ H2+: For best results, we recommend using the Condition cycle prior to using the Hydrogen functions. The H2+ function will use electrolysis to increase the Hydrogen in your water to approximately 700ppb (parts per billion). Touch the H2+ function on the control panel and the display will show "13," indicating 13 minutes. The pitcher will then begin to look slightly cloudy and the LED lights will begin changing colors. At the very end of the cycle the water will spin itself once more to signify the end of the cycle. Once the cycle has been completed you will hear 6 beeps and the water generator will power down. Enjoy the Hydrogen water immediately, as the Hydrogen will begin to slowly dissipate as it sits. In order to consume the most hydrogen rich water, it is recommended to drink the water within 30 minutes of the completion of the H2 or H2+ cycle. The amount of Hydrogen in the water will return to zero in approximately 1-½ hours.
- ◆ Clean: It is recommended to use the clean function every 10 uses. To use this function, first press the power button so all displays are lit up. Then, press the Clean function on the control panel. Once this function is pressed, the display will show "01" indicating 1 minute and the LED lights in the pitcher will begin to change color. Once the cycle is complete, you will hear 6 beeps and the device will power off. Do not drink the water after the clean cycle. Pour the dirty water in the pitcher out and refill with water to begin using again.
- ◆ To switch functions while one is still in process, first press the current function's button to stop the cycle. Once the cycle has been stopped, all four functions will light up and you can select which function you would like to use. You can also press the Power button at any time to stop any function.

## Inserting and Removing the Cartridge

- ◆ Although the cartridge can last 6-8 months (depending on usage), you may need to remove the cartridge for cleaning purposes. There should never be water in the pitcher when inserting or removing the cartridge.
- ◆ To insert the cartridge into the pitcher, first ensure the cartridge tabs are facing upwards. Then, simply place the cartridge into the pitcher so that the cartridge lays flat.



- ◆ To easily remove the cartridge, simply turn the pitcher upside down using the handle and the cartridge will slide out into your hand.



- ◆ Remember to always place the pitcher in a dry area, and never on top of any wet surfaces. Do not touch the bottom of the Hydro Pitcher when your hands are wet to avoid injuries or damage to the product.

## Cleaning

- ◆ To clean the interior of the Hydropitcher, simply rinse with regular tap, pure, or mineral water.
- ◆ If you notice the pitcher is generating fewer bubbles during the H2 or H2+ function, there may be dirt/impurities built up in the electrodes. To deep clean the pitcher, first remove the cartridge and fill the pitcher with vinegar to the MAX line. Let the vinegar sit for 2 hours and then, with the lid on the pitcher, carefully shake the vinegar for at least 2 minutes while covering the pour spout. Discard the vinegar and rinse the pitcher with regular water thoroughly.

## Storing

- ◆ Your Hydro Pitcher can be kept out on a dry area of your counter away from other appliances for easy daily use. However, if you would like to store your device elsewhere, we recommend storing in a dry area that is not in direct sunlight and is away from other appliances.
- ◆ Never set anything on top of the base when storing as to not cause damage to your Hydro Pitcher.
- ◆ We recommend removing the cartridge and letting it dry out for 24 hours before storing.

## Tips & Tricks

- ◆ Based on using 1 pitcher of hydrogen water daily, your cartridge will last approximately 6-8 months.
- ◆ Although you cannot put any flavored water into the pitcher, you can still mix the hydrogen water with flavor packets, alcohol, or carbonated beverages after completing the cycle. Never mix the water with any other substance while still in the Hydro Pitcher; always pour the hydrogen water into a separate pitcher before mixing.