

90 DAYS LIMITED WARRANTY

Course Housewares, LLC warrants this product to be free from manufacturer defect for up to 90 days from the original date of purchase. If a defect is found to exist, Course Housewares will, at its option, either repair or replace the product or the defective component, including labor. Replacement will be made with a new or rebuilt product or components. This warranty does NOT cover (a) ordinary wear and tear (such as scratches, chips or stains), (b) impact damage or breakage, (c) heat discoloration, minor imperfections and slight color variations in the silicone or metals, which are a normal part of the craftsmanship, (d) extreme temperature or resulting damage to the product (e) improper cleaning methods causing scratches or damage, or (f) accessories, even if sold with the product, (g) any unit that has been tampered with, (h) damages incurred through improper use and care and (i) faulty packaging by you or mishandling by any common carrier. Failure to follow the accompanying Care and Use instructions or commercial use will void this warranty.

Course Housewares' sole obligation and your exclusive remedy under this warranty is limited to repair or replacement, at its option, of the defective product. You will be responsible for any shipping and handling fees. Products returned to us that are not found to be defective in material or workmanship will be returned to you. If your particular product is found defective but is no longer available and cannot be repaired, a comparable product, at our discretion, will be sent as a replacement. This warranty extends only to the product's original purchaser, US residents only and does not cover damage caused by improper use or accidental damage. This warranty covers the Cook's Companion® Knife Sharpener only.

COURSE HOUSEWARES, LLC MAKES NO OTHER WARRANTIES, EITHER EXPRESSED OR IMPLIED, REGARDING THE PRODUCT OR RELATING TO ITS QUALITY, PERFORMANCE, MERCHANTABILITY, OR FITNESS FOR A PARTICULAR PURPOSE, COURSE HOUSEWARES, LLC SHALL NOT BE LIABLE FOR INDIRECT, CONSEQUENTIAL OR SPECIAL DAMAGES WHETHER A CLAIM IS BASED ON CONTRACT, TORT, WARRANTY OR OTHERWISE, IN NO EVENT WILL LIABILITY EXCEED THE ORIGINAL PURCHASE PRICE OF THE PRODUCT. THE DURATION OF ANY IMPLIED WARRANTY WHATSOEVER, INCLUDING BUT NOT LIMITED TO THE WARRANTIES OF MERCHANTABILITY AND FITNESS FOR A PARTICULAR PURPOSE, SHALL BE LIMITED TO THE DURATION OF THE EXPRESS WARRANTY PROVIDED HEREIN. COURSE HOUSEWARES SHALL NOT BE LIABLE FOR ANY INCIDENTAL OR CONSEQUENTIAL DAMAGES WHATSOEVER.

Some states do not allow limitations on how long an implied warranty lasts or the exclusion or limitation of incidental or consequential damages, so the above limitation or exclusion may not apply to you. This warranty gives you specific legal rights, and you may have other legal rights, which vary from State to State.

To process a claim:

Do not return the product to the retailer from which it was purchased. Your retailer has no liability for this warranty. Please contact the Course Housewares customer service department for assistance and to ensure the fastest possible resolution to the problem. Please have your purchase information available to speed this process.

OR

Send your name, physical address, phone number, original purchase receipt and the safely packaged item prepaid to:

Course Housewares, LLC
1715 Lake Drive West
Chanhassen, MN 55317
(866) 325-1659

Return shipping and handling charges may apply.

MADE IN CHINA, MANUAL PRINTED IN CHINA

MODEL: B422224



Knife Sharpeners Set of 2



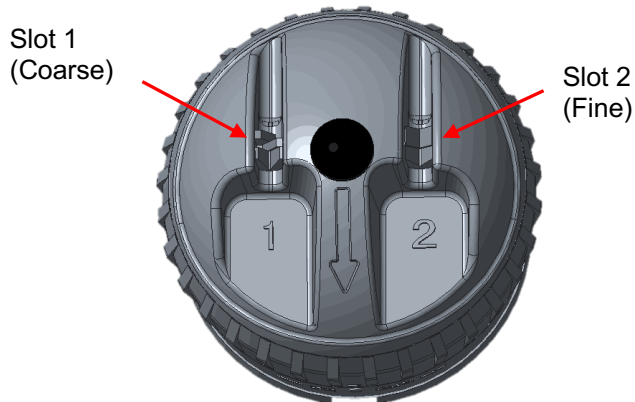


PLEASE READ BEFORE USE AND SAVE THESE INSTRUCTIONS

Thank you for purchasing the Cook's Companion® Knife Sharpeners. Your items will perform best when used as intended. To ensure the best performance of your product, please consistently follow these instructions.

YOUR SET INCLUDES:

- Cook's Companion® Knife Sharpeners Set of 2



SAFETY PRECAUTIONS

- Do not use the knife sharpener on any serrated blades or scissors.
- Do not exert a large amount of pressure on the knives while using it on the Knife Sharpener.
- The Knife Sharpener should never be washed in a dishwasher or with any liquids.
- Your Knife Sharpener should be kept clean and dry at all times.
- Prior to sharpening your knives, please always ensure that your knives are well cleaned and completely dry.

SAFETY PRECAUTIONS CONTINUED

- The Knife Sharpeners are compatible for use with most surfaces. However, always test the unit's adhesion to the surface before using the Knife Sharpener.
- Only pull your knives through the slots in one direction. Do not slide the knife back and forth on your Knife Sharpener. This can damage the item and void your warranty.
- **Warning:** Always use caution when handling knives as they are very sharp.

ABOUT YOUR KNIFE SHARPENER

- The Cook's Companion® Knife Sharpeners provide you with two different slots to use individually/consecutively for the purpose of effectively sharpening your knives at home.
- Slot 1 is meant for sharpening blunt blades that have not been sharpened for a long period of time. You should always use slot 2 for finer sharpening after sharpening the blade with slot 1.
- Slot 2 should be used for finer sharpening of your knives or for re-sharpening. If the blade is dull, you should start with slot 1 and then use slot 2. In the case that your knife is still sharp but needs a tune up, you can use slot 2 alone to re-sharpen the blade.

USING YOUR COOK'S COMPANION® KNIFE SHARPENER

- Clean and dry the knives well before using the Cook's Companion® Knife Sharpener. Always ensure that you are using a non-serrated knife with this Knife Sharpener.
- Place the knife sharpener on a stable, flat surface.
- Following the arrows, hold the grip on your sharpener and twist clockwise until you feel it click into place.



USING YOUR KNIFE SHARPENER CONTINUED

- Grip the Knife Sharpener and test its adhesion by applying pressure to the product in different directions (up, down, sideways, etc.). This step will help ensure that the Knife Sharpener is attached securely to the surface. If the Knife Sharpener slides or comes loose in any way, do not use your sharpener and find another surface to operate the unit safely on. Lock the Knife Sharpener securely in place.
- Once the Knife Sharpener is attached securely to the surface, proceed to place the back end of your blade in slot 1 or 2. We recommend using slot 1 followed by slot 2 for sharpening duller blades. Gripping your knife handle securely, pull the knife towards you through the slot, ending at the tip of the blade. While pulling the blade through the slot, consistently apply a small amount of pressure downwards.
- Repeat the process 2 to 3 times as needed. Do not alternate sharpening your blades between the two slots. You should only sharpen your dull blade in slot 2 after sharpening in slot 1.
- Always slide your knife through the Knife Sharpener in one direction only. Do not slide back and forth. You may damage your knife or the sharpener, and void your sharpener's warranty.
- After using the Knife Sharpener, always be sure to wash and dry your knives before using.
- Detach the Knife Sharpener from the surface by turning the grip counter-clockwise, following the "unlock" arrow.

Unlock and
detach

