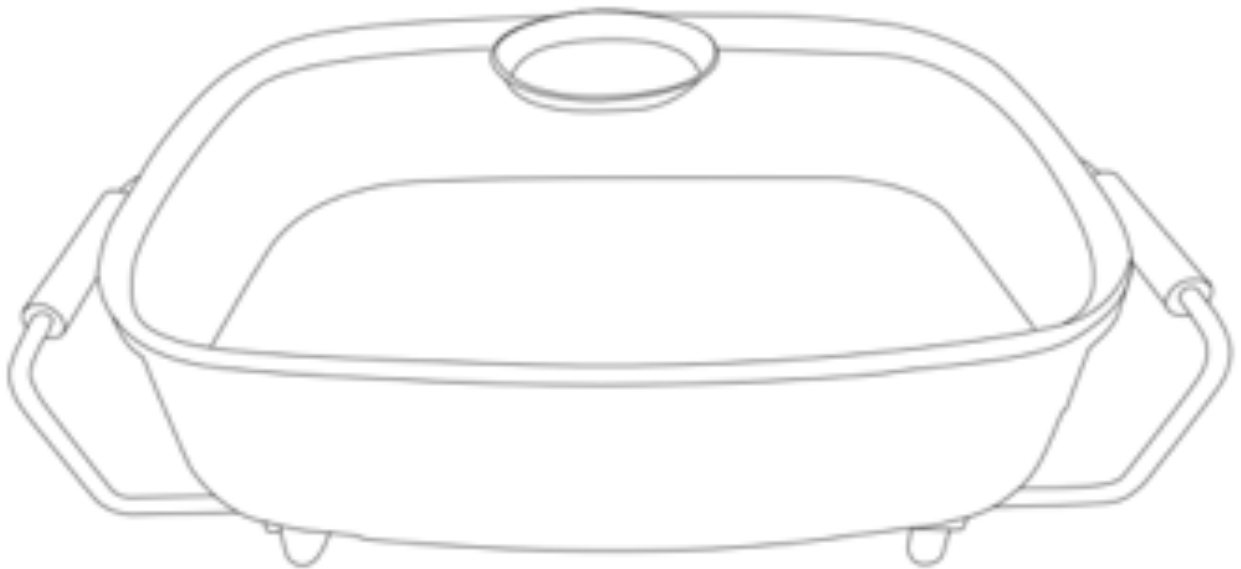




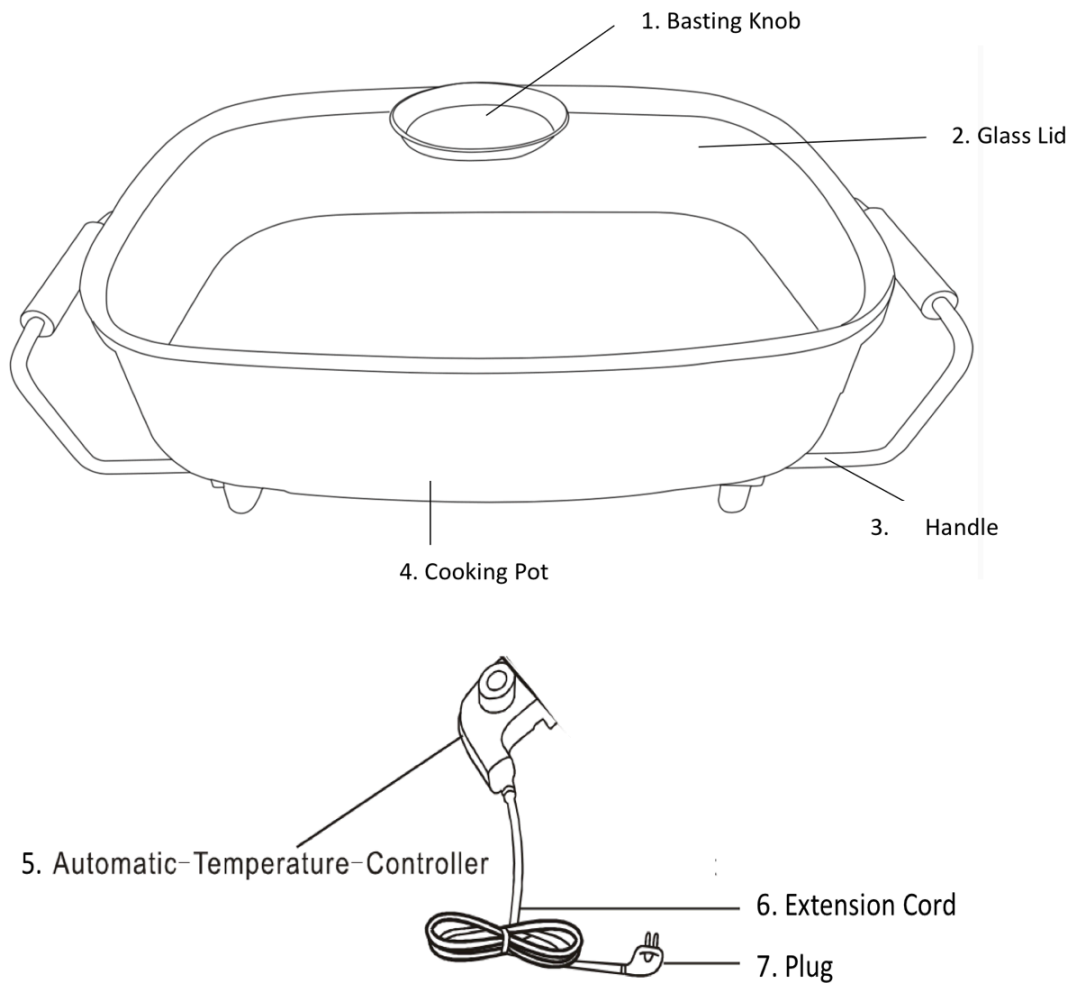
PAULA DEEN

KITCHEN ELECTRICS



**Electric Skillet
Instruction Manual
MODEL FPB-002-2-2**

WHAT'S INCLUDED



The Basting Lid is used to add flavor via the stainless steel knob without having to lift the lid. The liquid will slowly drip into the skillet and add flavor, moisture and tenderness.

To Use

- Fill the basting knob with wine, broth, beer or other thin liquid.

To Clean

- The lid is dishwasher safe.

IMPORTANT SAFEGUARDS

When using electrical appliances, basic safety precautions should be followed as follows:

- Read all the instructions.
- Do not use the unit for anything other than intended use.
- Never immerse the unit fully into water or other liquid to avoid damage to the roaster.
- Do not leave the unit unattended during operation.
- Do not place the unit on or near gas or electric cooktops to avoid damages.
- Make sure the unit is unplugged before moving the unit.
- Always attach the temperature probe to the skillet first, then plug cord into a wall outlet. When disconnecting the skillet, turn the temperature probe to “OFF”, then remove from wall outlet.
- Place the unit on a level surface away from walls and cupboards. Do not let the cord hang over the edge of a table or counter or touch hot surfaces.
- Close supervision is necessary when any appliance is used by or near children.
- Do not move the appliance during cooking.
- If you are using plastic utensils, do not leave them inside the appliance when hot.
- Do not use sharp utensils in the skillet to avoid damaging the coating.
- The glass lid has been specially treated to make it stronger, more durable and safer than ordinary glass, however it is not indestructible, please use caution when handling the glass lid.
- Do not touch hot surfaces. Use handles with dry pot holders or oven mitts to move the skillet.
- Do not use the skillet near or under surfaces that are heat sensitive or those that may be damaged by steam.
- Be cautious when handling the glass lid as it will be extremely hot. Always use the handle when removing the lid.
- To avoid scalding from escaping steam while removing the glass lid, carefully lift the lid angled away from yourself.

- Extreme caution must be used since the unit contains hot food, hot oils and liquids.
- Do not use the unit with an extension cord, always plug into a wall outlet.
- Unplug from outlet when not in use and before cleaning. Allow to cool before cleaning.
- To prevent electrical shock do not immerse the cord or temperature probe in water or other liquid.
- Do not operate unit with a damaged cord or plug or after the unit malfunctions or has been damaged in any manner.
- A short power supply cord is supplied to reduce the risk of the cord becoming tangled or tripping over a long cord.
- The appliance has a polarized plug (one blade is wider than the other). To reduce the risk of electric shock, this plug is intended to fit into a polarized outlet only one way.
- If the plug does not fit fully into the outlet, reverse the plug. If it still does not fit, contact a qualified electrician. Do not attempt to modify the plug in any way.
- Do not use outdoors.
- **SAVE THESE INSTRUCTIONS.**

BEFORE FIRST USE

1. Remove all packaging materials. Locate all included parts before discarding the box.
2. Clean the skillet and lid with hot water, dishwashing liquid, and a non-abrasive sponge.
3. Wipe the outside of the skillet with a soft cloth.

USING THE APPLIANCE

1. Place skillet on a level surface. Insert temperature probe into the skillet with the control knob facing upwards and in the “OFF” position.
2. Plug cord into an electrical outlet.
3. Turn the control knob to desired setting, the indicator light will illuminate. The range is from 1-4 with 1 being low heat and 4 being the maximum heat (See chart on page 6 for temperature ranges).
4. The unit will need to preheat for 3-8 minutes, depending on the desired temperature setting. If faster heat up is desired place the lid on top of the unit.

Note: Do not preheat for more than the suggested time to avoid damage to the coating of the skillet.

5. Place food inside of the skillet. Cook recipe as desired.
6. Once cooking is complete turn the control knob to the “OFF” position and unplug the skillet.

TEMPERATURE CHART

SETTING	TEMPERATURE RANGE
1	200°F- 240°F
2	275°F- 325°F
3	350°F- 400°F
4	410°F- 450°F

CLEANING

Clean after every use.

1. Switch the control knob on the skillet to the “OFF” position, unplug the skillet and allow to cool completely.

CAUTION: To prevent injury or electric shock, always remove the temperature probe before cleaning. Do not immerse temperature probe, cord, or the skillet unit in water or other liquid.

2. Remove excess food and oil with a clean cloth. Clean the skillet and lid with hot water, dishwashing liquid, and a non-abrasive sponge. Do not use detergent or abrasives as these may scratch the coating.

STORAGE

1. Unplug the cord.
2. Make sure all parts are clean and dry.
3. Do not place the temperature probe inside of the skillet as this may scratch the coating.

RECIPE NOTES

LIMITED ONE YEAR WARRANTY

This warranty covers all defects in workmanship or materials in the parts, arising under normal use and care in this product for a period of 12 months from the date of purchase provided you are able to present a valid proof-of-purchase. A valid proof-of-purchase is a receipt specifying item, date purchased, and cost of item. A gift receipt showing item and date of purchase is an acceptable proof-of-purchase. Product is intended for household use only. Any commercial use voids the warranty.

This warranty covers the original retail purchaser or gift recipient. During the applicable warranty period within normal household use, we will repair or replace, at our discretion, any part which proves defective, or replace unit with a comparable model. Shipping and handling costs are not included for warranty replacements and are the responsibility of the customer.

To obtain service under the terms of this warranty, send an email to customercare@alliedrich.net or call 312-526-3760. Please provide the model number listed on the bottom of this page when contacting us.

THIS LIMITED WARRANTY COVERS UNITS PURCHASED AND USED WITHIN THE UNITED STATES AND DOES NOT COVER:

- Ordinary wear and tear including scratches, dents or stains.
- Heat discoloration, minor imperfections and slight color variations in the ceramic coating, metals or glass.
- Damage caused by extreme temperatures changes such as pre-heating cookware empty, letting liquids boil dry or immersing a hot pot or lid into cold water.
- Improper cleaning methods causing scratches.
- Damages in transit.
- Defects other than manufacturing defects.
- Damages from misuse, abuse, accident, alteration, lack of proper care and maintenance.
- Damage from service by other than authorized dealer or service center.
- Shipping and handling costs.
- This warranty gives you special legal rights and you may also have other rights to which you are entitled which may vary from state to state.

Manufacturer does not assume responsibility for loss or damage for return shipment. We recommend that you keep your original packaging should you require repair service. Before returning product please contact our customer care department for return authorization. When returning product for repair please include your full name, return address, and daytime phone number. Also include a brief description of the problem you are experiencing and a copy of your sales receipt or other proof of purchase in order to validate warranty status.

MODEL FPB-002-2-2