



## 3-Quart Grill Pot USE & CARE

### IMPORTANT NOTICE

If you have any problems with this unit, please call Consumer Relations for service:  
Synergy Housewares, LLC • Toll Free: (800) 334-9136 • M-F 8:30am-5:00pm EST

Please read operating instructions before using this product. Please keep  
original box and packing materials in the event that service is required.

Model # CCHP300



*Photos and illustrations throughout this manual may differ slightly from actual product*

# IMPORTANT SAFEGUARDS

When using electrical appliances, basic safety precautions should always be followed, including the following:

- 1 Read all instructions.
- 2 Do not touch hot surfaces. Use handles or knobs.
- 3 To protect against electrical shock do not immerse cord, plug or housing in water or other liquid.
- 4 Close supervision is necessary when any appliance is used by or near children.
- 5 Unplug from outlet when not in use and before cleaning. Allow to cool before putting on or taking off parts.
- 6 Do not operate any appliance with a damaged cord or plug or after the appliance malfunctions or has been damaged in any manner. For customer service please contact 800-334-9136.
- 7 The use of accessory attachments not recommended by the appliance manufacturer may cause injuries.
- 8 Do not block any ventilation openings. Install in accordance with the manufacturer's instructions.
- 9 Do not use outdoors.
- 10 Do not let cord hang over edge of table or counter, or touch hot surfaces.
- 11 Do not place on or near a hot gas or electric burner, or in a heated oven.
- 12 Extreme caution must be used when moving an appliance containing hot oil or other hot liquids.
- 13 Plug the cord into the wall outlet. To disconnect, turn temperature dial to the OFF position, then remove plug from wall outlet.
- 14 Do not use appliance for other than intended use.
- 15 Oversize foods or metal utensils must not be inserted in the appliance as they may create a fire or risk of electric shock.
- 16 A fire may occur if the appliance is covered or touching flammable material, including curtains, draperies, walls, and the like, when in operation. Do not store any item on top of the appliance when in operation. Leave at least 5" free space on the back and sides and above the appliance while cooking.
- 17 Do not clean with metal scouring pads. Pieces can break off the pad and touch electrical parts, creating a risk of electric shock.
- 18 Extreme caution should be exercised when using containers constructed of other than metal or glass.

- 19 Do not store any materials, other than manufacturers recommended accessories in this appliance when not in use.
- 20 Do not place any of the following materials in the appliance: paper, cardboard, plastic, and the like.
- 21 Use extreme caution when removing the pan and disposing of hot grease.
- 22 Do not leave appliance unattended while it is operating.
- 23 This appliance is not a deep fryer and should never be filled with fat or oil.
- 24 Never use this appliance without the pan in place.
- 25 Always remove crumbs and food particles from pan before cooking a second batch of food.
- 26 This appliance has a polarized plug with one blade wider than the other. To reduce risk of electric shock, this plug will only fit in a polarized outlet one way. If the plug does not fit in the outlet, reverse the plug. If it still does not fit contact a qualified electrician. Never modify the plug in any way.

## SAVE THESE INSTRUCTIONS HOUSEHOLD USE ONLY

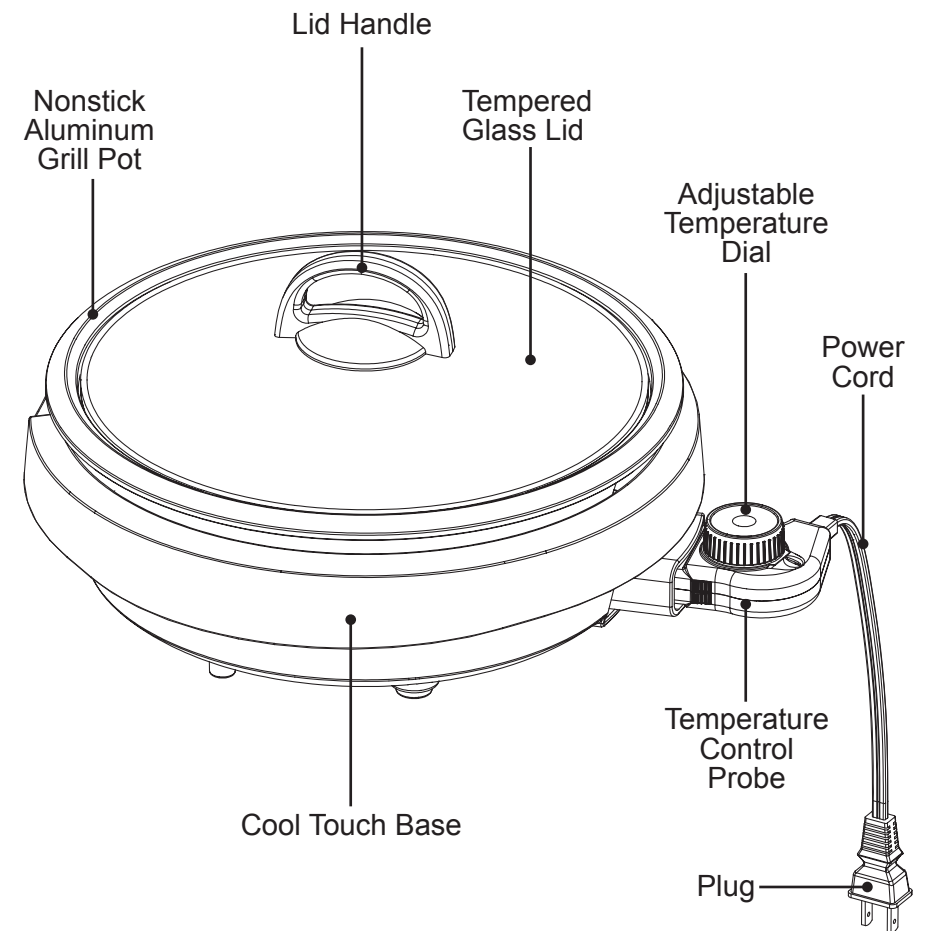
### Additional Safety Information

- 1 A short power-supply cord is provided to reduce the hazards resulting from entanglement or tripping over a long cord. If it is necessary to use an extension cord, it should be positioned such that it does not drape over the counter or tabletop where it can be pulled on by children or tripped over.
- 2 The marked rating of the extension cord must be equal to or greater than the rating of this appliance. The electrical rating of this appliance is 1,200 watts.

## Table of Contents

Important Safeguards .....	1
Additional Safety Information.....	2
Know Your 3-Quart Grill Pot .....	4
Before Your First Use .....	5
Using Your 3-Quart Grill Pot .....	6
Care & Cleaning .....	7
Limited Warranty .....	10
Contact Information .....	Back

## Know Your 3-Quart Grill Pot



*Actual product may differ slightly from illustrations on this page*

## Before Your First Use

- 1 Unpack the 3-Quart Grill Pot and remove all packaging materials.
- 2 Pull the NONSTICK ALUMINUM GRILL POT out of the COOL TOUCH BASE and clean the GRILL POT, COOL TOUCH BASE and TEMPERED GLASS LID according to the Care & Cleaning section of this manual.
- 3 Condition the nonstick surface of the 3-Quart Grill Pot with a small amount of vegetable oil.
- 4 We recommend performing a trial run of your 3-Quart Grill Pot to eliminate any protective substance from the heating elements. Conduct the trial run in a well-ventilated area as a small amount of smoke and odor may be detected. This is normal and should be expected.

Follow the procedure below for the trial run.

- 1 Place the 3-Quart Grill Pot on a stable, level surface.
- 2 Insert the NONSTICK ALUMINUM GRILL POT into the COOL TOUCH BASE and allow it to snap into place.
- 3 Insert the TEMPERATURE CONTROL PROBE through the COOL TOUCH BASE and into the NONSTICK ALUMINUM GRILL POT.

**Note:** Always ensure that your ADJUSTABLE TEMPERATURE DIAL is set to OFF before plugging into the wall outlet.

- 4 Plug the 3-Quart Grill Pot into the wall outlet.
- 5 Set the ADJUSTABLE TEMPERATURE DIAL to HIGH and allow to run for 10 minutes.
- 6 Your trial run is complete. Turn the ADJUSTABLE TEMPERATURE DIAL to OFF, unplug the POWER CORD from the outlet and allow to cool.

## Using Your 3-Quart Grill Pot

- 1 Place the 3-Quart Grill Pot on a stable, level surface.
- 2 Insert the NONSTICK ALUMINUM GRILL POT into the COOL TOUCH BASE and allow it to snap into place.
- 3 Insert the TEMPERATURE CONTROL PROBE into the NONSTICK ALUMINUM GRILL POT.

**Note:** Always ensure that your Adjustable Temperature Dial is set to OFF before plugging into the wall outlet.

- 4 Plug the 3-Quart Grill Pot into the wall outlet.
- 5 Set the ADJUSTABLE TEMPERATURE DIAL to the desired temperature. The orange light will illuminate when the unit is turned on. When the orange light turns off, the Grill Pot has reached the desired temperature.

**Note:** The orange light will continue to turn on and off during operation indicating the temperature is being maintained.

- 6 Add food to be cooked into the 3-Quart Grill Pot. The TEMPERED GLASS LID can be used to speed cooking time and maintain even cooking performance.

**Note:** Metal utensils may damage the nonstick cooking surface. Use of wooden, nylon or silicone utensils is recommended.

- 7 When cooking is complete, turn the ADJUSTABLE TEMPERATURE DIAL to OFF. Unplug the POWER CORD from the outlet and allow to cool completely.
- 8 **CAUTION:** During cooking, the TEMPERED GLASS LID and the NONSTICK ALUMINUM GRILL POT will be very hot. Always use the LID HANDLE and wear protective oven mitts or pot holders.



