

1 YEAR LIMITED WARRANTY

Course Housewares, LLC warrants this Cook's Companion® product to be free from manufacturer defect for up to 1 year from the original date of purchase. If a defect is found to exist, Course Housewares will, at its option, either repair or replace the product or the defective component, including labor. Replacement will be made with new or rebuilt product or components. This warranty does NOT cover (a) ordinary wear and tear (such as scratches or stains), (b) impact damage or breakage, (c) heat discoloration, minor imperfections and slight color variations which are a normal part of the craftsmanship, (d) improper cleaning methods, or (e) any unit that has been tampered with, (f) damages incurred through improper use and care and (g) faulty packaging by you or mishandling by any common carrier. Failure to follow the accompanying Care and Use instructions or commercial use will void this warranty.

Course Housewares' sole obligation and your exclusive remedy under this warranty is limited to repair or replacement, at its option, of the defective product. You will be responsible for any shipping and handling fees. Products returned to us that are not found to be defective in material or workmanship will be returned to you. If your particular product is found defective but is no longer available and cannot be repaired, a comparable product, at our discretion, will be sent as a replacement. Course Housewares cannot guarantee a replacement of the same color as your original purchase. This warranty extends only to the product's original purchaser, US residents only and does not cover damage caused by improper use or accidental damage. This warranty covers the Egg Cooker only.

COURSE HOUSEWARES, LLC MAKES NO OTHER WARRANTIES, EITHER EXPRESSED OR IMPLIED, REGARDING THE PRODUCT OR RELATING TO ITS QUALITY, PERFORMANCE, MERCHANTABILITY, OR FITNESS FOR A PARTICULAR PURPOSE, COURSE HOUSEWARES, LLC SHALL NOT BE LIABLE FOR INDIRECT, CONSEQUENTIAL OR SPECIAL DAMAGES WHETHER A CLAIM IS BASED ON CONTRACT, TORT, WARRANTY OR OTHERWISE, IN NO EVENT WILL LIABILITY EXCEED THE ORIGINAL PURCHASE PRICE OF THE PRODUCT. THE DURATION OF ANY IMPLIED WARRANTY WHATSOEVER, INCLUDING BUT NOT LIMITED TO THE WARRANTIES OF MERCHANTABILITY AND FITNESS FOR A PARTICULAR PURPOSE, SHALL BE LIMITED TO THE DURATION OF THE EXPRESS WARRANTY PROVIDED HEREIN. COURSE HOUSEWARES SHALL NOT BE LIABLE FOR ANY INCIDENTAL OR CONSEQUENTIAL DAMAGES WHATSOEVER.

Some states do not allow limitations on how long an implied warranty lasts or the exclusion or limitation of incidental or consequential damages, so the above limitation or exclusion may not apply to you. This warranty gives you specific legal rights, and you may have other legal rights, which vary from State to State.

To Process a claim:

Do not return the product to the retailer from which it was purchased. Your retailer has no liability for this warranty. Please contact the Course Housewares customer service department for assistance and to ensure the fastest possible resolution to the problem. Please have your purchase information available to speed this process.

OR

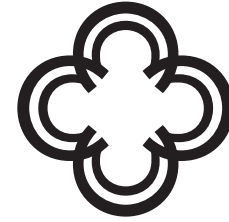
Send your name, physical address, phone number, original purchase receipt and the safely packaged item prepaid to:

Course Housewares, LLC
1715 Lake Drive West
Chanhassen, MN 55317
(866) 325-1659

Return shipping and handling charges may apply.

MADE IN CHINA

MODEL: 12813/B415384



COOK'S[®] COMPANION

Egg Cooker





Thank you for purchasing the Cook's Companion® Egg Cooker. Cook's Companion® will perform best when used as intended. To ensure the best performance of your product, please consistently follow these instructions.

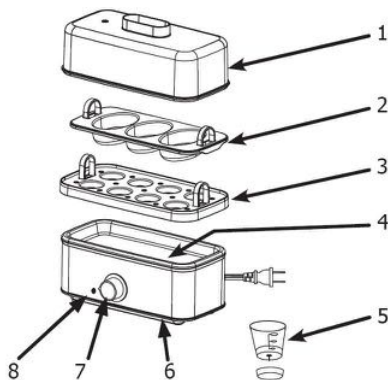
PLEASE READ BEFORE USE AND SAVE THESE INSTRUCTIONS

About Cook's Companion®

Exclusively available through Evine, the Cook's Companion® line sets the professional standard for quality tools offered at economic prices. Whether you're prepping meals for one, two or 20, this essential collection can cater to your any and every gastronomic need.

Cook's Companion® combines innovative and resourceful industry technologies with colorfully stylish designs. Cook's Companion® deliberately constructs each product with ease and convenience in mind. Fill your kitchen with useful products and return the joy to your kitchen with assistance from this dependable brand.

Your Egg Cooker Includes:



1. Lid
2. Poaching Tray
3. Cooking Tray
4. Water Reservoir
5. Water Cup/Piercing Pin
6. Base
7. ON/OFF Switch
8. ON Light

IMPORTANT SAFEGUARDS:

- ◆ FOR INDOOR HOUSEHOLD USE ONLY
- ◆ Read all instructions before using.
- ◆ To protect against fire, electric shock and injury, do not immerse cord, plug or unit in water or other liquids.
- ◆ Close supervision is necessary when any appliance is used near children and pets.
- ◆ Do not touch hot surfaces.
- ◆ Before use, unwind the power cord completely and keep the cord away from hot parts of the appliance.
- ◆ Do not place the unit or power cord on or near any hot surface, gas stove, electric burner, or in a heated oven or microwave.
- ◆ Only operate the unit on a dry, flat, non-slip surface.
- ◆ Do not operate the unit with a damaged cord or plug. If this product malfunctions or has been damaged in any manner, please stop operating immediately and call customer service at 1-866-325-1659 for further instruction.
- ◆ The use of any accessory not included with your product is not recommended and will void your warranty. Doing so may result in fire, electric shock, or injury.
- ◆ Always unplug from the electrical outlet when not in use and before cleaning to avoid accidental electric shock or injury.
- ◆ Allow time for the unit to completely cool before cleaning.
- ◆ As long as the appliance is hot, even if unplugged, there is danger of getting burned.
- ◆ Always use oven mitts or a towel when handling hot surfaces. Never store the unit while hot.
- ◆ Do not use the unit for anything other than its intended use.
- ◆ Extreme caution must be used when moving an appliance containing hot oil or other liquids. Always allow to cool before moving your unit or use extreme caution.
- ◆ Do not leave the unit unattended while in operation.
- ◆ Always keep the unit at least 6 inches clear from the wall and other appliances on all sides at all times when in use.
- ◆ Do not try to service the unit while it is still plugged in.
- ◆ Do not allow the cord to hang over any edge to avoid pulling, tripping, and entanglement.
- ◆ Keep these instructions in a safe place for future reference.

Getting Started

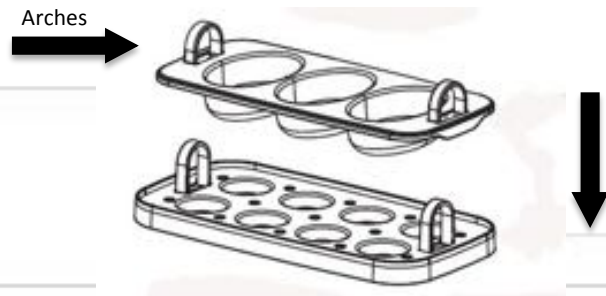
- ◆ Before using, remove any labels and wash and dry each item in accordance with the care and use instructions.

Compatibility

- ◆ Your Egg Cooker is 45W and requires a voltage of 120V; please make sure your outlet is compatible before using your product.

Using Your Egg Cooker

- ◆ Always use your Egg Cooker on a flat, heat resistant surface.
- ◆ Use your water cup to add water into the water reservoir.
- ◆ **STEAM COOKING:** Once water has been placed in the water reservoir, place only the cooking tray on the base with the arches in the facing upward position. Place eggs into the cooking tray and for best results carefully pierce the top of the eggs with the provided piercing pin to prevent cracking. Piercing Pin is extremely sharp so use extreme caution. It is not recommended to use any other item to pierce your eggs as this can cause injury. Cover the cooking tray with lid. Do this for Soft, Medium, and Hard egg styles.
- ◆ **POACHING:** Once water has been placed in the water reservoir, place the cooking tray on the base with the arches in the facing upward position. (See below diagram) Next place the poaching tray on top of the cooking tray. The poaching tray will fit on the face up hooks of the cooking tray. Place your cracked (shell free) eggs in the spaces of the poaching tray. Cover the cooking and poaching trays with lid. Do this for Poached eggs.
- ◆ It is recommended to only use one cooking style at a time. Steam Cooking or Poaching.
- ◆ See the Cooking Chart on the next page for more information.
- ◆ Turn the ON/OFF switch clockwise to the ON setting. The ON light will turn on. Cooking of the eggs will begin at this time. Please keep track of your cooking time.
- ◆ Once your cooking time is complete turn the ON/OFF switch counter-clockwise to the OFF position.
- ◆ Remove the lid carefully to allow built up steam to escape. Be sure to remove the lid away from you so you do not get burned from the hot steam.
- ◆ You are now ready to enjoy your eggs.
- ◆ Allow base to completely cool before following cleaning steps.



Cooking Chart:

Egg Style	# of eggs	Cooking Time
Soft	4-8	8-9 Mins
Medium	4-8	12-14 Mins.
Hard	4-8	15-18 Mins.
Poached	1-3	10-12 Mins.

Please note that cook times vary.

DRY ALARM INFORMATION:

If at any point the water reservoir becomes dry you will hear a high-pitched sound. If this should happen turn the ON/OFF switch counter-clockwise to the OFF position and unplug the unit from the outlet. With your measuring cup add more water and continue use.

Cleaning

- ◆ The Base of your Egg Cooker should never be submerged in water or other liquid.
- ◆ The Base of your Egg Cooker can be wiped down with a damp cloth when needed.
- ◆ Be sure to have all switches turned off before attempting to clean your Egg Cooker. Make sure unit has cooled completely and that the unit is unplugged.
- ◆ Be sure to empty any and all liquid that is left in the water reservoir before cleaning.
- ◆ Your water reservoir is coated with a PFOA/PTFE free ceramic based coating for easy clean up.
- ◆ Wipe out your Egg Cooker water reservoir with a damp cloth and dry with a towel.
- ◆ Never use any harsh cleaners or rough sponges/clothes to clean the unit.
- ◆ Your Egg Cooker trays are dishwasher safe however it is recommended to hand wash with warm soapy water.
- ◆ Be sure your Egg Cooker is completely dry before storing.